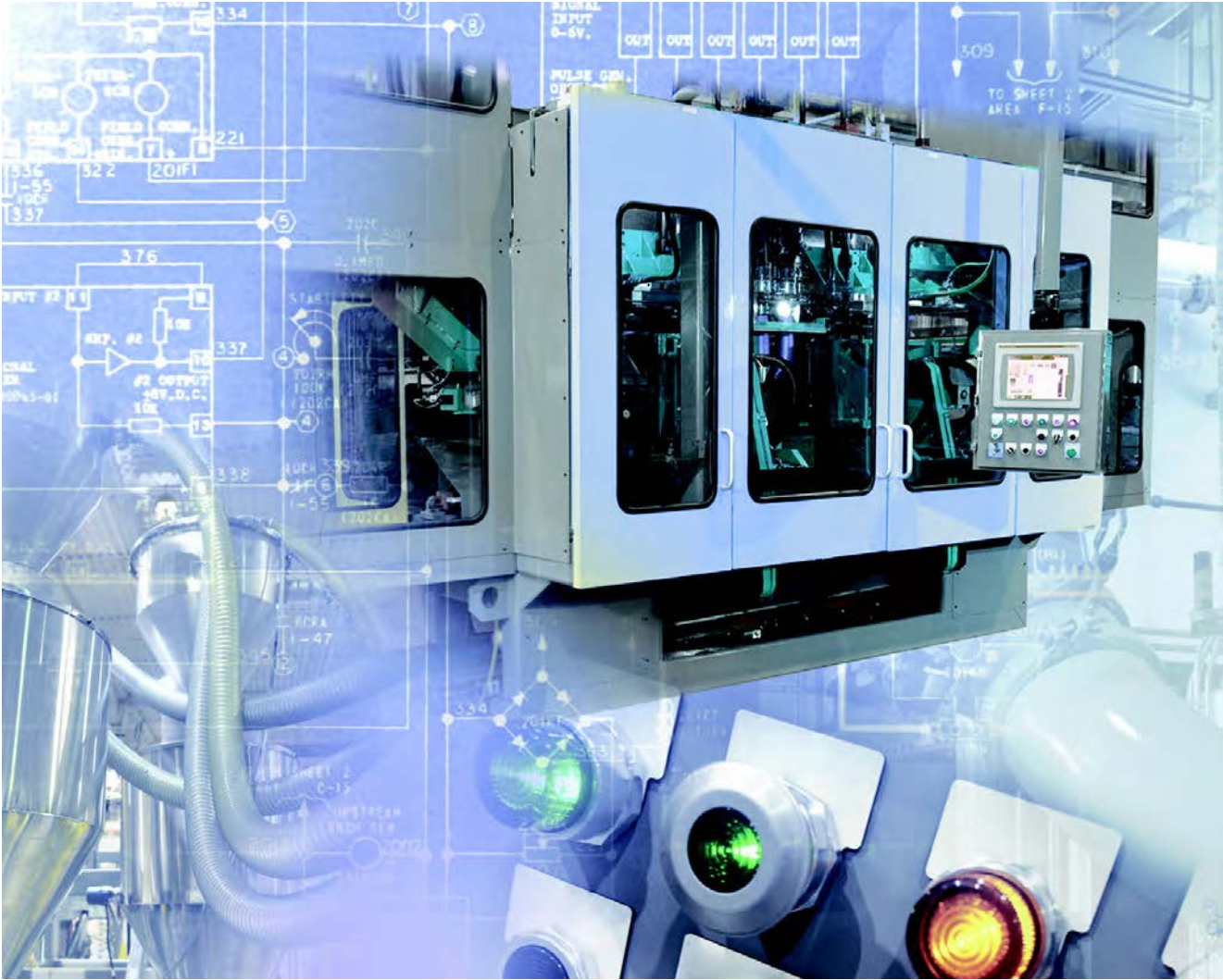


# IEC Busbar Mounting Systems

Bulletin 141A



LISTEN.  
THINK.  
SOLVE.®

# What's Inside

Topic	Page
Product Selection	3
Catalog Number Explanation	3
Busbar Adapters	3
Iso (Isolation) Busbar Adapters	4
Busbar Adapters for Bulletin 140G Molded Case Circuit Breakers, 140MG Motor Protection Circuit Breakers, and 140MG Motor Circuit Protectors	4
Panel Mounting Modules	4
Iso Busbar Adapters	5
141A Mounting System, Classic	5
Standard Busbar Adapters	6
Standard Busbar Adapters with Terminals	7
Busbar Adapters for Circuit Breakers	7
Accessories for Standard and Iso Busbar Adapters	8
UL Fuse Bases and Fuse Holders	9
Fused and Non-fused IEC Switch Disconnectors	10
Accessories for Fused Devices	11
Busbars	12
Busbar Supports	13
Supply Modules, 3 Poles	14
Single Terminals for Connecting to Busbars	14
Terminal Covers	15
Busbar Covers and Shrouds	16
Busbar Accessories	16
141A-C Compact System	17
141A-C Compact System—Busbar Rack Components	17
Panel Mounting Modules	18
Specifications	19
Current Carrying Capacity of Copper Busbars	19
Adapter Data	20
Wiring	20
Supply Modules	20
Short-Circuit Current Ratings per UL (support spacing at 800 mm)	22
General Data	23
Approximate Dimensions	25
Busbar Adapters	25
UL Fuse Bases and Fuse Holders	32
Fused and Non-fused IEC Switch Disconnectors	34
Busbar Rack Components	38
Terminals and Terminal Covers	42
Busbar Covers and Shrouds	44
141A-C Compact System	46

## Catalog Number Explanation

Examples given in this section are not intended to be used for product selection. Not all combinations will produce a valid catalog number.

### Busbar Adapters

141A - C S 45 R R 16  
                   a      b      c      d      e      f

a	
Type	
Code	Description
G	Standard busbar adapter
F	Standard busbar adapter with terminals
C	Compact busbar adapter

b	
Length	
Code	Description
C	Compact (160 mm)
S	Short (200 mm)
M	Medium (260 mm)
L	Long (320 mm)

c	
Width	
Code	Description
45	45 mm
54	54 mm
63	63 mm
72	72 mm
81	81 mm
90	90 mm
108	108 mm
110	110 mm
180	180 mm
270	270 mm

d	
Top Hat Rail	
Code	Description
R	Plastic hat rail
S	Plastic hat rail
M	Metal hat rail
V	Screw mounting, variable positions

e	
Bottom Hat Rail	
Code	Description
R	Rockwell Automation custom plastic rail
S	Standard plastic rail
Blank	No bottom rail

f	
Current Rating	
Code	Description
Blank	0 A (no electrical connection)
16	16 A
25	32 A
45	63 A
125	125 A
200	200 A
250	250 A

## Iso (Isolation) Busbar Adapters

141A – S M 45 R S 25  
 a b c d e f

a	
Type	
Code	Description
S	Iso busbar adapter

b	
Length	
Code	Description
S	Short (200 mm)
M	Medium (260 mm)

c	
Width	
Code	Description
45	45 mm
54	54 mm
63	63 mm

d	
Top Hat Rail	
Code	Description
R	Plastic hat rail
S	Plastic hat rail

e	
Bottom Hat Rail	
Code	Description
R	Plastic hat rail
S	Plastic hat rail

f	
Current Rating	
Code	Description
Blank	0 A (no electrical connection)
25	Width "c" 45 mm= 25 A Width "c" 54 mm= 32 A
45	45 A

## Busbar Adapters for Bulletin 140G Molded Case Circuit Breakers, 140MG Motor Protection Circuit Breakers, and 140MG Motor Circuit Protectors

141A – G H T  
 a b c

a	
Type	
Code	Description
G	Busbar adapters for Bulletin 140G and MG devices

b	
Length	
Code	Description
H	Frame size G, Frame size H
J	Frame size J
K	Frame size K
M	Frame size M

c	
Width	
Code	Description
T	Top Connection
B	Bottom Connection
U	Universal Connection

## Panel Mounting Modules

141A – W M 45 R R  
 a b c d e

a	
Type	
Code	Description
W	Panel mounting module

b	
Length	
Code	Description
S	Short (200 mm)
M	Medium (260 mm)
L	Long (333 mm)

c	
Width	
Code	Description
45	45 mm
54	54 mm

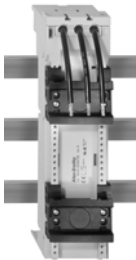
d	
Top Hat Rail	
Code	Description
R	Plastic hat rail

e	
Bottom Hat Rail	
Code	Description
R	Plastic hat rail

# 141A Mounting System, Classic

## Iso Busbar Adapters

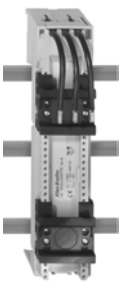

- Two-part construction
  - Device Adapter Plate (DAP) (carrying the starter) snaps onto the base adapter
  - Base adapter remains on busbar when exchanging starters, providing isolation from live parts
- Test position with load circuit isolated
- Optional control plug makes the starter fully pluggable
- Adapters with assigned current ratings supply the load current to the starter/loadfeeder by means of wire connections
- Multiple adapters can be combined to bigger platforms by use of the connection clips
- Fits on 5 mm or 10 mm thick busbars
- Meets feeder circuit spacings per UL 508A

	Description	Rated Thermal Current $I_{th}$ [A]	Width [mm]	Length [mm]	Rails	Pkg. Qty.	Cat. No.	
	Iso Busbar Adapters with Wires - Short Length – Wires on Device Adapter Plates for electrical connection	25	45	200	2	1	141A-SS45RR25	
		32	54				141A-SS54RR25	
		45	54				141A-SS54RR45	
		45	63				141A-SS63RR45	
	Iso Busbar Adapters without Wires - Short Length – Two connection clips included <sup>(1)</sup>	Without electrical connections	45	200	1	1	141A-SS45R	
			54				141A-SS54R	
		Iso Busbar Adapters with Wires - Medium Length – Wires on Device Adapter Plates for electrical connection	25	45	260	2	1	141A-SM45RS25
			32	54				141A-SM54RS25
45			54	141A-SM54RS45				
45			63	141A-SM63RS45				
Iso Busbar Adapters without Wires - Medium Length – Two connection clips included <sup>(1)</sup>		Without electrical connections	45	260	1	1	141A-SM45S	
			54				141A-SM54S	
			63				141A-SM63S	

(1) Iso Busbar Adapters without electrical connections include two connection clips. They are intended to form bigger platforms, for example: reversing starters, starters with Smart Motor Controllers or PowerFlex™ drives.

## Standard Busbar Adapters

- Adapters plug directly onto the busbar
- Suitable for use with control plug
- Adapters with assigned current ratings supply the load current to the starter/loadfeeder by means of wire connections
- Multiple adapters can be combined to bigger platforms by use of the connection clips
- Fits on 5 mm or 10 mm thick busbars
- Meets feeder circuit spacings per UL 508A



	Description	Rated Thermal Current $I_{th}$ [A]	Width [mm]	Legth [mm]	Rails	Pkg. Qty.	Cat. No.				
	Standard Busbar Adapters with Wires - Short Length - Wires for electrical connection	16	45	200	2	1	141A-GS45RR16				
			54				141A-GS54RR16				
		32	45				141A-GS45RR25				
			54				141A-GS54RR25				
		63	54				141A-GS54RR45				
			63				141A-GS63RR45				
			81				141A-GS81SS63				
		Standard Busbar Adapters with Flexible Busbar Connectors - Short Length - Metal Hat Rail - For starters with 140MG-G/-H circuit protectors	125 (160 <sup>(1)</sup> )				180	200	1		141A-GS180M125
							270				141A-GS270M125
	Standard Busbar Adapters without Wires — Short Length - Two connection clips included <sup>(2)</sup>	Without electrical connections		45	200	1		141A-GS45R			
				54				141A-GS54R			
				72				141A-GS72S			
81				141A-GS81S							
	Standard Busbar Adapters with Wires — Medium Length - Wires for electrical connection	32	45	260	2	1	141A-GM45RS25				
			54				141A-GM54RS25				
		63	54				141A-GM54RS45				
			63				141A-GM63RS45				
	Standard Busbar Adapters without Wires — Medium Length - Two connection clips included <sup>(2)</sup>	Without electrical connections		45	260	1		141A-GM45S			
				54				141A-GM54S			
				63				141A-GM63S			

(1) IEC Rating = 160 A

(2) Standard Busbar Adapters without electrical connections include two connection clips. They are intended to form bigger platforms, for example: for reversing starters, starters with Smart Motor Controllers or PowerFlex drives.



## Standard Busbar Adapters with Terminals

- Adapters plug directly onto the busbar
- Adapters ≤ 81 mm wide can be combined to bigger platforms by use of the connection clips
- Fits on 5 mm or 10 mm thick busbars
- Meets feeder circuit spacings per UL 508A

	Description	Rated Thermal Current $I_{th}$ [A]	Width [mm]	Length [mm]	Rails	Pkg. Qty.	Cat. No.
	Standard Busbar Adapters with Terminals — Short Length – With terminals for electrical connection	25 <sup>(1)</sup>	45	200	1	1	141A-FS45S25
		80 <sup>(2)</sup>	54				141A-FS45S63
			63				141A-FS63S63
			72				141A-FS72S63
			81				141A-FS81S63
	Standard Busbar Adapters with Terminals — Medium Length – With terminals for electrical connection	25 <sup>(1)</sup>	45	260	2	1	141A-FM45SS25
		80 <sup>(2)</sup>	54				141A-FM45SS63
			63				141A-FM63SS63
			72				141A-FM72SS63
			81				141A-FM81SS63
	Standard Busbar Adapter with Terminals on Top – With box terminals on top for electrical connection – Wire size 70 mm <sup>2</sup> (2/0 AWG) – Universal mounting capability with sliding pocket nuts (M4)	200	108	222	—	1	141A-FS108V200T
	Standard Busbar Adapter with Terminals on Top – With box terminals on top for electrical connection – Wire size 120 mm <sup>2</sup> (250 MCM) – Universal mounting capability with sliding pocket nuts (M4)	250	110	320	—	1	141A-FL110V250T








(1) Terminal size 6 mm<sup>2</sup> (10 AWG). Requires a Cat. No. 141A-FTS25 spacing adapter for UL508A applications.  
 (2) Terminal size 16 mm<sup>2</sup> (6 AWG). Requires a Cat. No. 141A-FTS63 spacing adapter for UL508A applications.

## Busbar Adapters for Circuit Breakers

	Description	For Use With	Rated Thermal Current $I_{th}$ [A]	Width [mm]	Pkg. Qty.	Cat. No.
	Standard Bus Bar Adapters with Flexible Connecting Bars for Electrical Connection – Meets Feeder Circuit Spacings per UL508A Terminal lugs for circuit breaker 140G-__TL* required, sold separately	140G G-Frame 140MG G-Frame 140G H-Frame 140MG H-Frame (Top Connection)	125 (160 <sup>(1)</sup> )	90	1	141A-GHT
		140G G-Frame 140G H-Frame (Bottom Connection)	125 (160 <sup>(1)</sup> )	90		141A-GHB
	Standard Bus Bar Adapters with Rear Connecting Studs for Electrical Connection – Meets Feeder Circuit Spacings per UL508A	140G J-Frame 140MG J-Frame (Top or Bottom Connection)	250	105	1	141A-GJU
		140G K-Frame 140MG K-Frame (Top or Bottom Connection)	400	140		141A-GKU




(1) IEC rating = 160 A

## Accessories for Standard and Iso Busbar Adapters





	Description	Width [mm]	Pkg. Qty.	Cat. No.
	Top Hat Rails 35 mm – Slides onto busbar adapters, fixation with 1 or 2 screws (included)	45	10	141A-AHR45
		54		141A-AHR54
		63		141A-AHR63
		72		141A-AHS72
		81		141A-AHS81
	Control Plug – Pull-apart terminal block allows fast and simple disconnection of control wiring. Control Plug Holder included.	8 Pole	1	141A-APC8
		10 Pole	1	141A-APC10
		12 Pole	1	141A-APC12
	Control Plug Holder – Suitable for use with 8-, 10-, or 12-pole control plugs.			141A-APH
	Spacer module — for Standard or ISO busbar adapters – For 9 mm spacing of busbar adapters. – Use included connection clips (Cat. No. 141A-AK) for attaching the spacer module to the busbar adapters. – 200 mm long	9	10	141A-AS9B
	Connection Clip – For joining multiple busbar adapters and spacer modules (as spare parts only, usually required quantity included with the adapters)		50	141A-AK
	Micro Switch – 1 N.C. Contact – For Iso busbar adapters only. Automatically drops out the contactor when the DAP (Device Adapter Plate) (carrying the starter) is unplugged from the base of the Iso busbar adapter.		10	141A-AS
	Terminal Shroud – Required for UL 508A applications – For use with 25 A standard busbar adapters with terminals (Cat. No. 141A-FS. . . 25, 141A-FM. . . 25)		4	141A-FTS25
	– For use with 63 A standard busbar adapters with terminals (Cat. No. 141A-FS. . . 63, 141A-FM. . . 63)		4	141A-FTS63



## UL Fuse Bases and Fuse Holders







	Description	Max. Voltage	Rating [A]	Pkg. Qty.	Cat. No.
	Fuse base, 3-pole, Class CC <ul style="list-style-type: none"> <li>For UL Class CC fuses</li> <li>27 mm wide</li> <li>Withstand rating 200 kA (600V)</li> <li>With spring terminals</li> <li>meets feeder circuit spacings per UL508A</li> </ul>	600V	30 A	1	141A-NFHCC30
	Fuse base, 3-pole, Class CC with LED <ul style="list-style-type: none"> <li>For UL Class CC fuses</li> <li>27 mm wide</li> <li>Withstand rating 200 kA (600V)</li> <li>With spring terminals</li> <li>meets feeder circuit spacings per UL508A</li> </ul>	600V	30 A	1	141A-NFHCC30L
	Class J Busbar Fuse Holder <ul style="list-style-type: none"> <li>Top or bottom connection</li> <li>For UL Class J fuses</li> <li>No tools required to change fuses</li> <li>meets feeder circuit spacings per UL 508A</li> </ul>		30 A	1	141A-NFJ30C
			60 A	1	141A-NFJ60C
			100 A	1	141A-NFJ100C
			200 A	1	141A-NFJ200C
	Class J Busbar Fuse Base <ul style="list-style-type: none"> <li>For mounting on 10 mm wide and double-T busbars</li> <li>Top or bottom connection</li> <li>For UL Class J fuses</li> <li>Meets feeder circuit spacings per UL 508A</li> </ul>		400 A	1	141A-NFJ400

## Fused and Non-fused IEC Switch Disconnectors

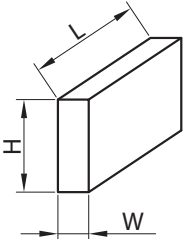
	Description	Size	Terminals	Rating [A]	Pkg. Qty.	Cat. No.
	Busbar Fuse Switch – 3-pole switch disconnector with fuses	For fuse links D02, for D01 fuses use reducer	400V AC	63 A <sup>(1)</sup>	1	141A-NF0102
		For 10 x 38 NFC cylindrical fuses	690V AC	32 A	1	141A-NF1038
	NH Fuse Switch Disconnecter – Connection bottom or top – Size 00 for plugging on 5, 10 mm thick and double-T busbars. – Sizes 1 and 2 conversion kit 141A-NFAFR5 is required for plugging on 5 mm thick busbars. – Size 3 only for plugging on 10 mm and double-T busbars.	Size 00, 200 x 106 mm	Box terminals, 70 mm <sup>2</sup>	160 A	1	141A-NFD160
		Size 1, 243 x 184 mm	M10, 120 mm <sup>2</sup>	250 A	1	141A-NFD250
		Size 2, 288 x 210 mm	M10, 240 mm <sup>2</sup>	400 A	1	141A-NFD400
		Size 3, 300 x 256 mm	M12, 240 mm <sup>2</sup>	630 A	1	141A-NFD630
	Switch Disconnecter with NH Fuses – 3-pole, bottom connections – Multi-function handle – Lockable in OFF position with 3 padlocks – FLAG indicator shows the switch status – Fuse can be changed without tools – Applicable as main isolator according to IEC/EN 60204-1 (main switch) – Main switch only for utilization categories AC-23A/B (500V/125 A), AC-23B (690V/125 A)	Size 00, 200 x 106 mm	Box terminals, 70 mm <sup>2</sup>	125 A	1	141A-NFD125SB
		Size 1, 286 x 184 mm	M10, 120 mm <sup>2</sup>	250 A	1	141A-NFD250SB
	Non-Fused Switch Disconnecter for External Rotary Operating Handle – 3-pole, bottom connections – FLAG indicator shows the switch status – Applicable as main isolator as per IEC/EN 60204-1 (main switch) – Can also be used as an Emergency Off switch in combination with the door coupling twist handle – Main switch and Emergency Off switch only for utilization categories AC-23A/B (500V/125 A) AC-23B (690V/125 A) (additional extension shaft and door handle required)	Size 00, 200 x 106 mm	Box terminals, 70 mm <sup>2</sup>	160 A	1	141A-N160SB
		Size 1, 286 x 184 mm	M10, 120 mm <sup>2</sup>	320 A	1	141A-N320SB

(1) The use of spacer module 141A-NFAD is recommended for a continuous load above 35 A.

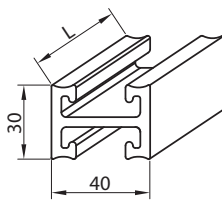
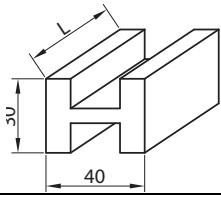
## Accessories for Fused Devices

	Description	Pkg. Qty.	Cat. No.	
	Pilot Switch – For use with Cat. No. 141A-NFD* NH-fuse switch disconnectors – Signaling ON/OFF position of lid – 250V AC/5 A; 30V DC/4 A	Size 1 (Series B)	1	141A-NFASNC1
		Size 00, Size 2...3	1	141A-NFASNFD
	Reducer – D02 reducer for D01 fuses – For use with 141A-NF0102	20	141A-NFAR	
	Spacer Module – Connectible on both sides – 9 mm wide – For use with 141A-NF*		141A-NFAD	
	Conversion Kit – For NH-fuse switch disconnector to reduce size 1 and 2 on to 5 mm busbars	Size 1 and 2	1	141A-NFAFR5
	Rotary Operating Handle – For use with Cat. No. 141A-N160SB or 141A-N320SB non-fused switch disconnector – IP66	Black	1	141A-NDN66
		Red/Yellow	1	141A-NDRY66
	Operating Shaft – For use with Cat. No. 141A-NDN66 or 141A-NDRY66 rotary operating handle	290 mm	1	141A-ND1
		490 mm	1	141A-ND2
	Pilot Switch – For use with Cat. No. 141A-N*SB fused and non-fused switch disconnectors – 250V AC/5 A; 30V DC/4 A	Size 00, 1 160/320 A	1	141A-NFASNCO

## Busbars

	Height x Width [mm]	Ampere Rating [A] <sup>(1)</sup>	UL Amp. Rating [A]	Length = 800 mm		Length = 1,200 mm		Length = 2,400 mm	
				Pkg. Qty.	Cat. No.	Pkg. Qty.	Cat. No.	Pkg. Qty.	Cat. No.
	12 x 5	200	150	3	141A-B125A	3	141A-B125C	12	141A-B125N
	15 x 5	250S	—		141A-B155A		141A-B155C		141A-B155N
	20 x 5	320	362		141A-B205A		141A-B205C		141A-B205N
	25 x 5	400S	—		141A-B255A		141A-B255C		141A-B255N
	30 x 5	450	500		141A-B305A		141A-B305C		141A-B305N
	12 x 10	360	300		141A-B1210A		141A-B1210C		141A-B1210N
	20 x 10	520	564		141A-B2010A		141A-B2010C	141A-B2010N	
	30 x 10	630	756		141A-B3010A		141A-B3010C	141A-B3010N	





(1) Ratings shown are based upon tested conditions at an ambient temperature of 35 °C and a busbar temperature of 65 °C.

	Height x Width (mm)	Ampere Rating [A] <sup>(1)</sup>	UL Amp. Rating	Length = 2,400 mm	
				Pkg. Qty.	Cat. No.
	TT 500 mm <sup>2</sup>	920	1200	1	141A-BT11NZ
	TT 720 mm <sup>2</sup>	1175	1400	1	141A-BT12NZ

(1) Ratings shown are based upon tested conditions at an ambient temperature of 35 °C and a busbar temperature of 65 °C.




## Busbar Supports

- 60 mm pole spacing


	Description	Busbar [mm]	Pkg. Qty.	Cat. No.
	Busbar Support <ul style="list-style-type: none"> <li>– 3-pole with inside mounting holes</li> <li>– meets feeder circuit spacings per UL508A<sup>(1)</sup></li> </ul>	12, 20, 30 x 5 or 12, 20, 30 x 10	10	141A-TU3
	1-pole <ul style="list-style-type: none"> <li>– meets feeder circuit spacings per UL508A</li> <li>– includes PE and N labels</li> </ul>	12, 20, 30 x 10	1	141A-TR1
	3-pole with inside mounting holes <ul style="list-style-type: none"> <li>– for applications according IEC 61439-1</li> <li>– approved for branch circuit applications per UL508</li> </ul>	12...30 x 5 or 12...30 x 10	10	141A-TR3
	4-pole with inside mounting holes <ul style="list-style-type: none"> <li>– for applications according IEC 61439-1</li> <li>– approved for branch circuit applications per UL508</li> </ul>	12...30 x 10		141A-TR4
	Busbar Support with terminals 3-pole, with terminals for electrical connections 1.5...16 mm <sup>2</sup> (#16...6 AWG)	12...30 x 5 or 12...30 x 10	10	141A-TR3F16
	Double-T Busbar Support 60 mm spacing (meets feeder circuit spacings per UL 508A*)	3-pole	3	141A-T13
	Busbar End Cover Prevents contact with the busbar ends and prevents busbars from sliding. The end cover can easily be clipped on the busbar support.	141A-TU3 or 141A-TR3	10	141A-TR3E
		141A-TR4		141A-TR4E
		141A-T13	4	141A-T13E


(1) To meet spacing requirement for UL508A, this product also requires support spacers or rear panel shroud.

## Supply Modules, 3 Poles






	Description	Busbar [mm]	Pkg. Qty.	Cat. No.
	Round conductors 6...50 mm <sup>2</sup> (10...2/0 AWG) – flat laminated Cu conductors 7x4 - 9x6 – 54 mm wide – meets feeder circuit spacings per UL 508A	12...30 x 5 or 12...30 x 10	1	141A-VN370
	Round conductors 16...120 mm <sup>2</sup> (6 AWG...250 MCM) – flat laminated Cu conductors 12x4 - 15.5x10 – 81 mm wide – meets feeder circuit spacings per UL 508A	or TT	1	141A-VN3120
	– 95...185 mm <sup>2</sup> (3/0 AWG...350 MCM) – 135 mm wide	20...30 x 5 or 20...30 x 10 or TT	1	141A-VN3185
	For round conductors – 95...300 mm <sup>2</sup> (3/0 AWG...600 MCM) – 135 mm wide – approved for branch circuit applications per UL508		1	141A-VN3300R
	For flat conductors up to 32 x 20 mm – equivalent to 625 mm <sup>2</sup> (1250 MCM) round conductor ampacity – 135 mm wide		1	141A-VN3300F
	Set of 3 terminals, for round conductors – 95...300 mm <sup>2</sup> (3/0 AWG...600 MCM) – 153 mm wide (3 single poles of 51 mm each) – meets feeder circuit spacings per UL 508A) – Requires Cat. No. 141A-BK180 or 141A-BK228 terminal cover	20...30 x 5 or 20...30 x 10 or TT	1	141A-VU3300R
	Set of 3 terminals – for flat conductors up to 32x20 mm – equivalent to 625 mm <sup>2</sup> (1250 MCM) – 153 mm wide (3 single poles of 51 mm each) – meets feeder circuit spacings per UL 508A – requires Cat. No. 141A-BK180 or 141A-BK228 terminal cover		1	141A-VU3300F

## Single Terminals for Connecting to Busbars



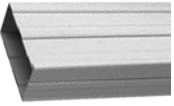
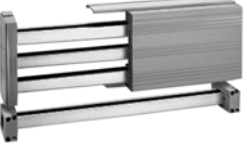


	Description	Busbar [mm]	Pkg. Qty.	Cat. No.
	2.5...16 mm <sup>2</sup> (#14...6 AWG)	12...30 x 5	25	141A-VS116
		12...30 x 10		141A-VS216
	4...35 mm <sup>2</sup> (#12...2 AWG)	12...30 x 5		141A-VS135
		12...30 x 10		141A-VS235
	16...70 mm <sup>2</sup> (#6...2/0 AWG)	12...30 x 5		141A-VS170
		12...30 x 10		141A-VS270
16...120 mm <sup>2</sup> (#6...250 MCM)	12...30 x 10	141A-VS2120		

	Description	Max. Terminal Space (W x H) [mm]	Busbar [mm]	Pkg. Qty.	Cat. No.
	Brace Terminals – 3-pole – For the connection of flat or flexible copper busbars – meets feeder circuit spacings per UL508A	55 x 28	30 x 10 or TT	1	141A-VB75528F
		68 x 28			141A-VB76828F
		105 x 28			141A-VB710528F




## Terminal Covers

	Description	Busbar [mm]	Pkg. Qty.	Cat. No.
	Terminal Cover <ul style="list-style-type: none"> <li>– Finger protection when busbars supplied with single terminals. Attaches directly to busbars.</li> <li>– Height: 180 mm, Width: 54 mm</li> </ul>	12...30 x 5 or 12...30 x 10	1	141A-BK1
	Terminal Cover Kit <ul style="list-style-type: none"> <li>– Finger protection when bus bars are supplied by Cat. No. 141A-VU3300_supply module</li> <li>– Attaches directly to bus bars</li> <li>– Height: 200 mm</li> <li>– Depth: 90 mm</li> </ul>	Width: 180 mm	1	141A-BK180
		Left and right support	1	141A-BKH
	Terminal Cover Components <ul style="list-style-type: none"> <li>– Customized terminal cover width using end supports, front shroud and top/bottom shroud</li> <li>– Shrouds can be cut to desired width</li> <li>– Attaches directly to bus bars</li> <li>– Cat. Nos. 141A-BKH, -BKC, and -BKS must be installed together</li> </ul>	Front shroud, 1100 mm	1	141A-BKC
		Top/bottom shroud, 1100 mm	1	141A-BKS

## Busbar Covers and Shrouds



	Description	Busbar [mm]	Pkg. Qty.	Cat. No.
	Busbar Shroud Cover – 200 x 1100 mm, covers all three busbars	12...30 x 5 or 12...30 x 10	2	141A-BCF1
	Busbar Shroud Holder – Two required per section of Busbar Shroud Cover		10	141A-BCF1H
	Single Pole Busbar Covers – Snap-on profile for single busbars for protection against electric shock.	12...30 x 5	10	141A-B55
		12...30 x 10		141A-B510
	Single Pole Busbar Cover – For double-T busbars – Length: 1 m; can be cut to length	Double-T	5	141A-BCT1
	Compartment Section – Fits to 141A-T13 double-T busbar supports – Length: 2400 x 48 mm; can be cut to length		1	141A-BST48
	Panel Busbar Shroud – Provides isolation between busbar and panel (required for feeder-circuit applications per UL 508A) – For use with Cat. No. 141A-TU3 supports. 240 x 810 mm	All	2	141A-BCR
	Busbar Support Spacer — Standard – Fits under Standard Busbar Supports, Cat. No. 141A-TU3 – Adds 20 mm to the depth of the Busbar Support – Fulfills phase-to-ground spacing requirements for UL508A applications – Panel Busbar Shroud, Cat. No. 141A-BCR, not required	12, 20, 30 x 5 or 12, 20, 30 x 10	10	141A-TS3

## Busbar Accessories







	Description	Busbar [mm]	Pkg. Qty.	Cat. No.
	Busbar Connector – System spacing 5...10 mm, length 55 mm	12...20 x 5 or 12...20 x 10	12	141A-VC3A
	Busbar Connector – System spacing 13...20 mm, length 40 mm	20...30 x 5 or 20...30 x 10	6	141A-VC3B
	Double-T Busbar Connectors – System Spacing 100-110 mm, length 150 mm	Double-T Busbars 141A-BT11NZ, 141A-BT12NZ	3	141A-VC5G
	Phase Separator – For UL installation of busbar connectors – 3-pole, including two mounts – For use with Busbar Connectors – For use with Cat. No. 141A-VC3A, -VC3B, -VC5G	Width: 105 mm	1	141A-PS105
		Width: 145 mm		141A-PS145
		Width: 200 mm		141A-PS200



# 141A-C Compact System




	Description	Rated Thermal Current $I_{th}$ [A]	Width [mm]	Rails	Pkg. Qty.	Cat. No.
	Standard Busbar Adapters with Wires — Compact Length	32	45	1	1	141A-CC45R32
	— With wires for electrical connection, 160 mm tall	63	54			141A-CC54R63
	Without electrical connections, — for example, for reversing starters	—	45			141A-CC45R
	Spacer module — for compact busbar adapters			9	10	141A-CAS9B
	— Connection clips (Cat. No. 141A-AK) are included for attaching the spacer module to the mounting modules. — 160 mm long					
	NH Fuse Switch Disconnecter – Compact	Size 000, 160 x 90 mm	Box terminals, 50 mm <sup>2</sup>	125 A	1	141A-CNFD125
	— Connection bottom or top — For use with Cat. No. 141A-CTU3 busbar supports					

## 141A-C Compact System—Busbar Rack Components

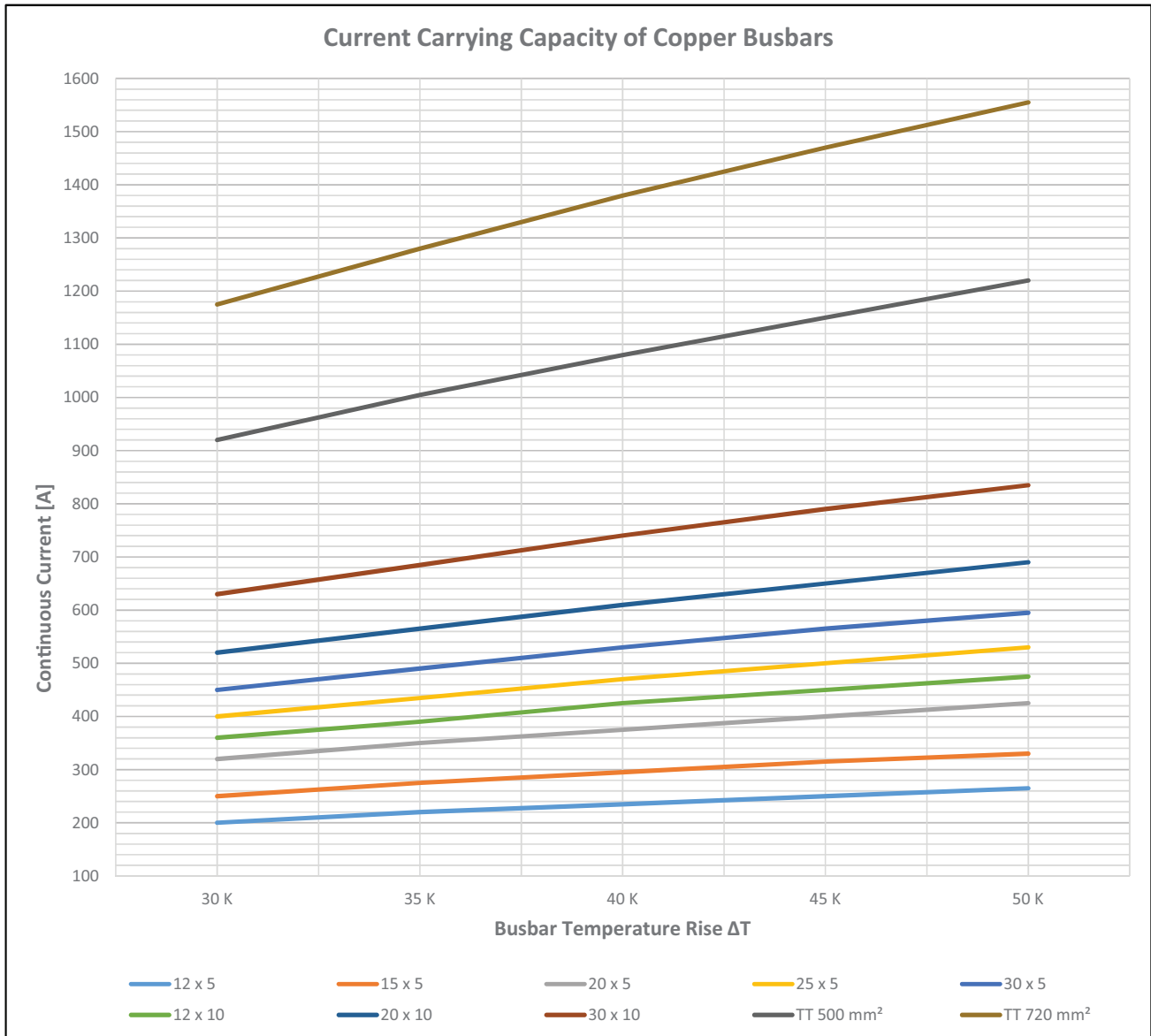
	Description	Busbar [mm]	Pkg. Qty.	Cat. No.
	Busbar Support — Compact	12 x 5 or 12 x 10	10	141A-CTU3
	— 60 mm pole center spacing — 3-pole with inside mounting holes — meets feeder circuit spacings per UL508A <sup>(1)</sup> — includes end cover			
	Busbar Support Spacer — Compact	12 x 5 or 12 x 10	10	141A-CTS3
	— Fits under Compact Busbar Supports, Cat. No. 141A-CTU3 — Adds 18 mm to the depth of the Busbar Support — Fulfills phase-to-ground spacing requirements for UL508A applications — Panel Busbar Shroud, Cat. No. 141A-BCR, not required			
	Panel Busbar Shroud	12 x 5 or 12 x 10	2	141A-CBCR
	— Provides isolation between busbar and panel (required for feeder-circuit applications per UL 508A). For use with Cat. No. 141A-CTU3 supports. — 160 x 700 mm			
	Busbar Shroud Cover — Compact	12 x 5 or 12 x 10	2	141A-CBCF1
	— 160 x 700 mm — Covers all three busbars			
	Busbar Shroud Holder — Compact		10	141A-CBCF1H
	— Two required per section of Busbar Shroud Cover — For use with Busbar Shroud Cover — Compact, Cat. No. 141A-CBCF1			
	Supply Module, 3-pole, 54 mm wide	12 x 5 or 12 x 10	1	141A-CVN350
	— Round conductors 6...50mm <sup>2</sup> (10...2/0 AWG) — Flat laminated Cu conductors 7x4 - 9x6 — Meets feeder spacings per UL508A			
	Supply Module, 3-pole, 90 mm wide	12 x 5 or 12 x 10	1	141A-CVN3150
	— Round conductors 35...150mm <sup>2</sup> (2 AWG...300MCM) — Flat laminated Cu conductors up to 10x20 — Meets feeder spacings per UL508A			

(1) To meet spacing requirement for UL508A, this product also requires support spacers or rear panel shroud.

# Panel Mounting Modules




	Description	Width [mm]	Rails	Pkg. Qty.	Cat. No.
	Mounting Module — Short Length – 228 mm tall – For 2-component starters	45	2	1	141A-WS45RR
		54			141A-WS54RR
	Mounting Module — Medium Length – 283 mm tall – For 3-component starters using 193-ED or -EE overload relays	45	2	1	141A-WM45RR
		54			141A-WM54RR
	Mounting Module — Long Length – 333 mm tall – For 3-component starters using 193-E3 or E300 overload relays	54	2	1	141A-WL54RR

## Current Carrying Capacity of Copper Busbars






# Adapter Data

## Wiring



		Iso Adapters		Standard Adapters with Wire Connections				Standard Adapters with Box Terminals			
		141A-S		141A-G, 141A-CC				141A-F			
<b>Rated current at 60 °C <math>I_{th}^{(1)}</math></b>	[A]	32	63	16	32	63	125	32	63	200	250
 stranded	[mm <sup>2</sup> ]	6	10	4	6	10	—	4	16	6...70	35...120
	[AWG]	10	8	12	10	8	—	12	6	10...2/0	2...250 MCM
 solid	[mm <sup>2</sup> ]	—	—	—	—	—	—	4	16	6...70	35...120
	[AWG]	—	—	—	—	—	—	12	6	10...2/0	2...250 MCM
 laminated copper	[mm <sup>2</sup> ]	—	—	—	—	—	43	—	—	—	—
	[AWG]	—	—	—	—	—	1/0	—	—	—	—
<b>Insulation rating of conductors</b>	[°C]	105				105				—	—

(1) The admissible load of a complete system depends on the system topography and the application parameters. Factors of influence are ambient temperature, air circulation, busbar load, distribution of busbar load, mix of adapters and switchgear components.




## Supply Modules

		Supply Adapters									
		141A-TR3F16	141A-VN370, -CVN350	141A-CVN3150	141A-VN3120	141A-VN3185	141A-VN3300R	141A-VN3300F	141A-VU3300R	141A-VU3300F	
 stranded	[mm <sup>2</sup> ]	1.5...16	6...50	35...150	35...120	95...185	150...300	—	120...300	—	
	[AWG]	16...6	10...1/0	2...300 MCM	2...250 MCM	No. 3/0...350 MCM	300...600 MCM	—	250...600 MCM	—	
 solid	[mm <sup>2</sup> ]	1.5...16	6...50	35...150	35...120	95...185	150...300	—	120...300	—	
	[AWG]	16...6	10...1/0	2...300 MCM	2...250 MCM	—	—	—	250...600 MCM	—	
 laminated copper	[mm]	—	—	—	—	—	—	3 x 20 x 1... 10 x 32 x 1	—	3 x 20 x 1... 10 x 32 x 1	
	<b>Tightening Torque</b>	[N•m]	—	8...10	12...15/	12...15	30	30	30	30	30
		[lb•in]	—	71...89	106...133	106...133	266	266	266	266	266

## Class J Bus Bar Fuse Bases

		Class J Bus Bar Fuse Bases		
		141A-NFJ100	141A-NFJ200	141A-NFJ400
 stranded	[mm <sup>2</sup> ]	6...70	10...150	16...300
	[AWG]	10...2/0	8...300 MCM	4...600 MCM
 solid	[mm <sup>2</sup> ]	6...70	10...150	16...300
	[AWG]	10...2/0	8...300 MCM	4...600 MCM
<b>Tightening Torque</b>	[N•m]	14...16	16...18	38...40
	[lb•in]	125...142	142...160	336...355

## Single Terminals

		Single Terminals			
		141A-VS116, 141A-VS216	141A-VS135, 141A-VS235	141A-VS170, 141A-VS270	
 stranded	[mm <sup>2</sup> ]	2.5...16	4...35	16...70	
	[AWG]	14...6	12...2	6...2/0	
 solid	[mm <sup>2</sup> ]	2.5...16	4...35	16...70	
	[AWG]	14...6	12...2	6...2/0	
 laminated copper	1 conductor	[mm]	5 x 9 x 0.8	5 x 9 x 0.8	
	2 conductors	[mm]	—	5 x 9 x 0.8	
Clamping area	Width x Height	[mm]	7.5 x 7.5	10.5 x 11	14 x 14
Tightening Torque	[N•m]	4	6	10	
	[lb•in]	35	53	120	

## Busbars

### Busbar required quality

Material		E-CU blank or tinned
Busbar widths 5 or 10 mm thick	[mm]	12, 15, 20, 25, 30
Tolerance of thickness	[mm]	+0.1/-0.3
Corner radius	[mm]	0.5
Tolerance of center spacing	[mm]	60 +0.5/-0.5
Standard		DIN 46433

### Busbar Specifications



Specification		Busbar Style									
		A	B	C	D	E	F	G	H	J	K
Cross Section	[mm <sup>2</sup> ]	60	75	100	125	150	120	200	300	500	720
Dimensions	[mm]	12 x 5	15 x 5	20 x 5	25 x 5	30 x 5	12 x 10	20 x 10	30 x 10	TT 30 x 40	TT 30 x 40
Rated Current											
UL	[A]	150	—	362	—	500	300	564	756	1200	1400
IEC	[A]	200	250	320	400	450	360	520	630	960	1250
Cat. No. <sup>(1)</sup>		141A-B125*	141A-B155*	141A-B205*	141A-B255*	141A-B305*	141A-B1210*	141A-B2010*	141A-B3010*	141A-BT11NZ	141A-BT12NZ

(1) For Flat busbars, replace the asterisk (\*) with one of the following letters to specify the correct length: A = 800 mm, C = 1200 mm, N = 2400 mm.  
Cat. Nos. 141A-BT11NZ and 141A-BT12NZ have a length of 2400 mm.

## Short-Circuit Current Ratings per UL (support spacing at 800 mm)

Cat. No.	Description	Max. Circuit Breaker Cat. No.	C. B. Rating	SCCR		Max. Class CC, J or T Fuse	SCCR 480V	Max. Class CC, J or T Fuse	SCCR 600V
				480V	600V				
141A-B125*	12x5 Copper Bus Bar	140G-J6I3-D25 140G-J6X3-D25	250 A	65 kA	25 kA	400 A	100 kA	400 A	100 kA
141A-B1210*	12x10 Copper Bus Bar	140G-K6H3-D40	400 A	65 kA	35 kA	400 A	100 kA	400 A	100 kA
141A-B205*	20x5 Copper Bus Bar	140G-K6H3-D40	400 A	65 kA	35 kA	500 A	100 kA	400 A	100 kA
141A-B2010*	20x10 Copper Bus Bar	140G-K6H3-D40	400 A	65 kA	35 kA	500 A	100 kA	400 A	100 kA
141A-B305*	30x5 Copper Bus Bar	140G-K6H3-D40	400 A	65 kA	35 kA	500 A	100 kA	500 A	100 kA
141A-B3010*	30x10 Copper Bus Bar	140G-K6H3-D40	400 A	65 kA	35 kA	600 A	100 kA	600 A	100 kA
141A-BT1*NZ	TT Copper Bus Bar	140G-M6H3-D80	800 A	65 kA	35 kA	800 A Class T	100 kA	600 A	100 kA
141A-TU3	Bus Bar Support	140G-K6H3-D40	400 A	65 kA	35 kA	600 A	100 kA	600 A	100 kA
141A-CTU3	Bus Bar Support	140G-K6H3-D40	400 A	65 kA	35 kA	600 A	100 kA	600 A	100 kA
141A-T13	Bus Bar Support	140G-M6H3-D80	800 A	65 kA	35 kA	800 A Class T	100 kA	600 A	100 kA
141A-TR3E	BB Support End Cover	140G-K6H3-D40	400 A	65 kA	35 kA	600 A	100 kA	600 A	100 kA
141A-T13E	BB Support End Cover	140G-M6H3-D80	800 A	65 kA	35 kA	800 A Class T	100 kA	600 A	100 kA
141A-VN370	Supply Module	140G-J6I3-D25 140G-J6X3-D25	250 A	65 kA	25 kA	400 A	100 kA	400 A	100 kA
141A-VN3120	Supply Module	140G-K6H3-D40	400 A	65 kA	35 kA	600 A	100 kA	600 A	100 kA
141A-VN3300R	Supply Module	140G-K6H3-D40	400 A	65 kA	35 kA	500 A	100 kA	300 A	100 kA
141A-VU3300R	Supply Module	140G-K6H3-D40	400 A	65 kA	35 kA	500 A	100 kA	300 A	100 kA
141A-VS54136F	Profile Terminals	140G-M6H3-D80	800 A	65 kA	35 kA	800 A Class T	100 kA	600 A	100 kA
141A-GHT	Circuit Breaker Adapter	140G-G6* or 140MG-G8*	125 A	65 kA	—	—	—	—	—
141A-GHB	Circuit Breaker Adapter	140G-G6* or 140MG-G8*	125 A	65 kA	—	—	—	—	—
141A-GHT	Circuit Breaker Adapter	140G-H6* or 140MG-H8*	125 A	65 kA	25 kA	—	—	—	—
141A-GHB	Circuit Breaker Adapter	140G-H6* or 140MG-H8*	125 A	65 kA	25 kA	—	—	—	—
141A-GJU	Circuit Breaker Adapter	140G-J6* or 140MG-J8*	250 A	65 kA	35 kA	—	—	—	—
141A-GKU	Circuit Breaker Adapter	140G-K6* or 140MG-K8*	400 A	65 kA	25 kA	—	—	—	—
141A-SS*25 141A-SM*25	Bus Bar Adapter	140M-C2E-B16	1.6 A	65 kA	47 kA	30 A	100 kA	30 A	100 kA
		140M-C2E-C10	10 A	65 kA	30 kA	30 A	100 kA	30 A	100 kA
		140M-C2E-C25	25 A	30 kA	30 kA	30 A	100 kA	30 A	100 kA
		140M-D8E-C25	25 A	65 kA	30 kA	30 A	100 kA	30 A	100 kA
		140M-D8E-C32 <sup>(1)</sup>	32 A	65 kA	30 kA	30 A	100 kA	30 A	100 kA
141A-GS*25 141A-GM*25 141A-FS*25 141A-FM*25, 141A-CC45R32	Bus Bar Adapter	140M-C2E-B16	1.6 A	65 kA	47 kA	30 A	100 kA	30 A	100 kA
		140M-C2E-C10	10 A	65 kA	30 kA	30 A	100 kA	30 A	100 kA
		140M-C2E-C25	25 A	30 kA	30 kA	30 A	100 kA	30 A	100 kA
		140M-D8E-C25	25 A	65 kA	30 kA	30 A	100 kA	30 A	100 kA
		140M-D8E-C32	32 A	65 kA	30 kA	30 A	100 kA	30 A	100 kA
141A-SS*45 141A-SM*45 141A-GS*45 141A-GM*45 141A-CC54R63	Bus Bar Adapter	140M-F8E-C32	32A	65 kA	30 kA	—	—	—	—
		140M-F8E-C45	45 A	65 kA	18 kA	—	—	—	—

(1) 54 mm and 63 mm wide adapters only.

# General Data

## Main Circuits

Rated insulation voltage $U_i$		
Acc. to IEC, EN	[V]	690
Acc. to UL, NEMA, CSA, EEMAC	[V]	600
Rated impulse withstand voltage $U_{imp}$	[kV]	8
Rated frequency	[Hz]	50...60
Pollution degree		3
Ambient temperature		
Operation	[°C]	-25...+60
Transport and storage	[°C]	-50...+80
Protection class		
Adapters and busbars		IP00
Adapters and busbars mounted on plate, connected conductors and usage of busbar covers		IP20
Iso-Adapters with device adapter plate removed, from front		IP20 B (finger proof)
Standards Compliance		IEC/EN 60439-1
Certifications		CE, cULus Recognized

## Control Circuits

Control Plugs		
Rated insulation voltage $U_i$		
Acc. to IEC, EN	[V]	250
Acc. to UL, NEMA, CSA, EEMAC	[V]	300
Rated impulse withstand voltage $U_{imp}$	[kV]	4
Rated current at 40 °C ambient temperature $I_{th}$	[A]	12
Micro Switch		
Rated insulation voltage $U_i$		
Acc. to IEC, EN	[V]	250
Acc. to UL, NEMA, CSA, EEMAC	[V]	300
Rated current	AC coil	250 V
Suitable for switching 100-C contactors	DC coil	120 V

## Weights

MCS Iso Busbar Adapter	[g]	MCS Iso Busbar Adapter	[g]
141A-SM45RS25	402	141A-SM63S	405
141A-SM45S	300	141A-SS45R	279
141A-SM54RS25	418	141A-SS45RR25	381
141A-SM54RS45	494	141A-SS54R	305
141A-SM54S	327	141A-SS54RR25	396
141A-SM63RS45	502	141A-SS54RR45	472
		141A-SS63RR45	480

MCS Standard Busbar Adapter	[g]	MCS Standard Busbar Adapter	[g]
141A-CC45R32	198	141A-GM63RS45	400
141A-CC54R63	218	141A-GM45S	211
141A-FM45SS25	293	141A-GM54S	277
141A-FM54SS63	349	141A-GM63S	298
141A-FM63SS63	370	141A-GS45R	200
141A-FM72SS63	408	141A-GS45RR25	302
141A-FM81SS63	429	GS54R	226
141A-FS45S25	272	GS54RR25	347
141A-FS45S63	328	GS54RR45	358
141A-FS63S63	349	141A-GS63RR45	379
141A-FS72S63	387	141A-GS72S	268
141A-FS81S63	408	141A-GS81S	289
141A-GM45RS25	313	141A-GS90M125	781
141A-GM54RS25	368	141A-GS180M125	1021
141A-GM54RS45	379	141A-GS270M125	1271

MCS Standard Busbar Adapter >100 A	[g]
141A-FL110V250T	1200
141A-FS108V200B	1000
141A-FS108V200T	1000

MCS Mounting Adapter	[g]	MCS Mounting Adapter	[g]
141A-WL45RR	211	141A-WM54RR	211
141A-WL45RRP	240	141A-WM54RRP	234
141A-WL54RR	222	141A-WS45RR	163
141A-WL54RRP	251	141A-WS45RRP	180
141A-WM45RR	189	141A-WS54RR	204
141A-WM45RRP	212	141A-WS54RRP	221

## Specifications

Busbar Components	[g]
141A-BCF1	750
141A-BCF1H	40
141A-BCR	800
141A-BCT1	380
141A-BK1	144
141A-BK180	395
141A-BK228	425
141A-BK250	440
141A-BKC	420
141A-BKH	90
141A-BKS	150
141A-BS10	101
141A-BSS	87
141A-BST48	700
141A-BST76	1050
141A-CBCF1	420
141A-CBCF1H	18
141A-CTS3	52
141A-CTU3	68
141A-CVN3150	575
141A-CVN350	206
141A-N160SB	2160
141A-N320SB	5650

Busbar Components	[g]
141A-ND1	130
141A-ND2	220
141A-NDN66	570
141A-NDRY66	570
141A-NF0102	759
141A-NF1038	760
141A-NFAC00A	124
141A-NFAC1A	107
141A-NFAC2A	109
141A-NFAC3A	156
141A-NFAD	61
141A-NFAFR5	65
141A-NFAR	1
141A-NFASNC0	11
141A-NFASNC1	11
141A-NFASNF	7
141A-NFASNFD	11
141A-NFD125SB	2190
141A-NFD160	1300
141A-NFD250	3760
141A-NFD250SB	2460
141A-NFD400	5500
141A-NFD630	7840

Accessories	[g]
141A-AHR45	15
141A-AHR54	16
141A-AHR63	16
141A-AHS72	17
141A-AHS81	18
141A-AK	1
141A-APC10	35
141A-APC12	40

Accessories	[g]
141A-APC8	29
141A-APH	5
141A-AS	75
141A-AS9B	20
141A-AS9S	38
141A-AS9W	20
141A-CAS9B	20
141A-FTS63	8

Busbar Components	[g]
141A-NFHCC30	185
141A-NFHCC30L	187
141A-NFJ100	3280
141A-NFJ200	4500
141A-NFJ400	6900
141A-NFVF1150	116
141A-NFVF2240	199
141A-NFVF3300	247
141A-PS105	172
141A-PS145	196
141A-PS200	218
141A-T11	158
141A-T13	591
141A-T13E	20
141A-TR1	59
141A-TR3	203
141A-TR3E	21
141A-TR3F16	285
141A-TR4	256
141A-TR4E	28
141A-TS3	131
141A-TU3	127
141A-VB710528F	840

Busbar Components	[g]
141A-VB75528F	500
141A-VB76828F	630
141A-VC3A	185
141A-VC3B	251
141A-VC3C	565
141A-VC3D	870
141A-VC5E	494
141A-VC5F	943
141A-VC5G	1461
141A-VN3120	485
141A-VN3185	1140
141A-VN3300F	1619
141A-VN3300R	1540
141A-VN3370	360
141A-VS116	21
141A-VS135	46
141A-VS170	71
141A-VS2120	109
141A-VS216	23
141A-VS235	47
141A-VS270	74
141A-VU3300F	1325
141A-VU3300R	1550



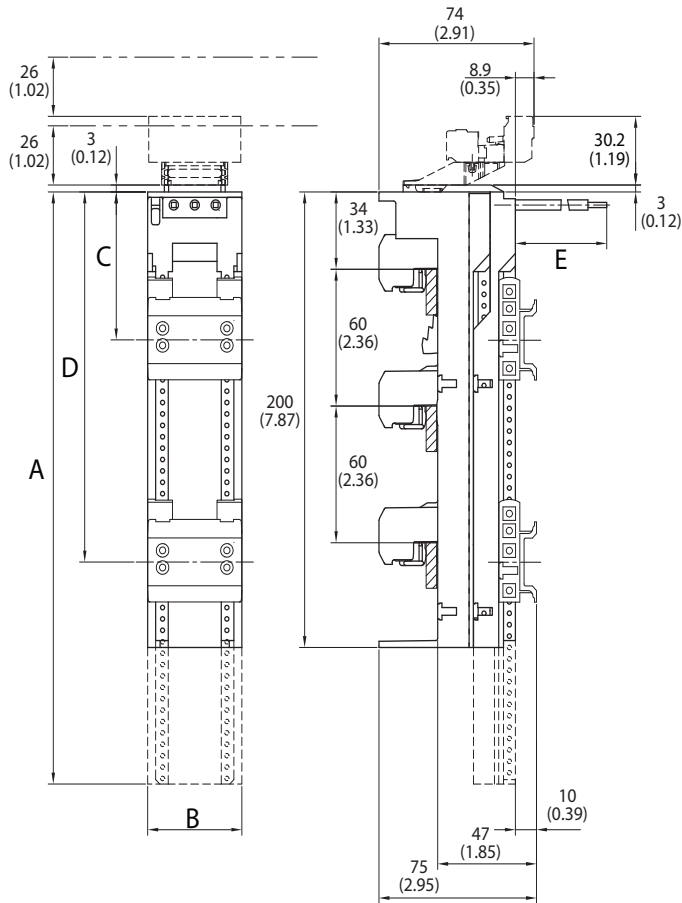
# Approximate Dimensions

## Busbar Adapters

Dimensions are in millimeters (inches). Dimensions are not intended for manufacturing purposes.

### 141A Mounting System, Classic

Figure 1 - ISO Busbar Adapters

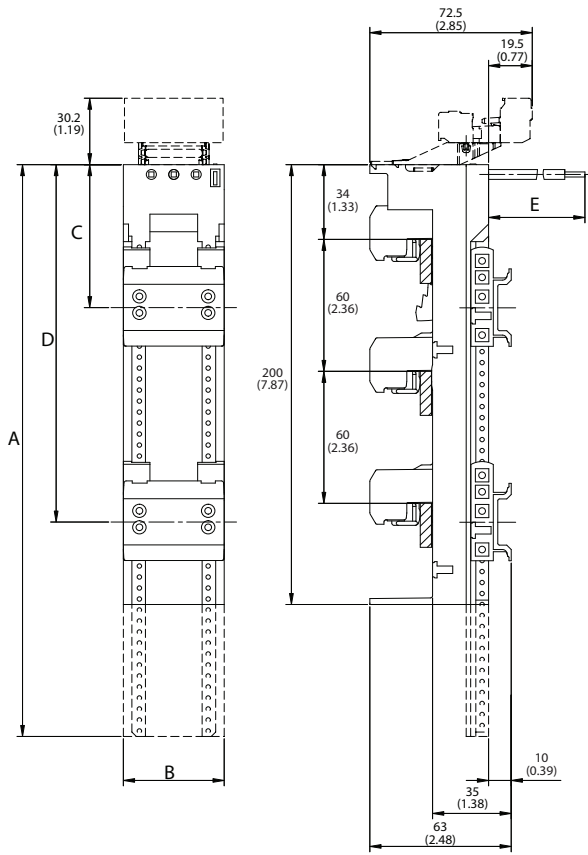


Note: Free space is required to get the device adapter place into the parking position.

Cat. No.	A	B	C	D	E
141A-SS45RR25	200 (7.87)	45 (1.77)	65 (2.56)	162.5 (6.4)	73 (2.87)
141A-SS54RR25	200 (7.87)	54 (2.13)	65 (2.56)	162.5 (6.4)	73 (2.87)
141A-SS54RR45	200 (7.87)	54 (2.13)	65 (2.56)	170 (6.69)	95 (3.74)
141A-SS63RR45	200 (7.87)	63 (2.48)	65 (2.56)	170 (6.69)	95 (3.74)
141A-SS45R	200 (7.87)	45 (1.77)	—	162.5 (6.4)	—
141A-SS54R	200 (7.87)	54 (2.13)	—	170 (6.69)	—

Cat. No.	A	B	C	D	E
141A-SM45RS25	260 (10.24)	45 (1.77)	65 (2.56)	170 (6.69)	73 (2.87)
141A-SM54RS25	260 (10.24)	54 (2.13)	65 (2.56)	170 (6.69)	73 (2.87)
141A-SM54RS45	260 (10.24)	54 (2.13)	65 (2.56)	170 (6.69)	95 (3.74)
141A-SM63RS45	260 (10.24)	63 (2.48)	65 (2.56)	170 (6.69)	95 (3.74)
141A-SM45S	260 (10.24)	45 (1.77)	—	170 (6.69)	—
141A-SM54S	260 (10.24)	54 (2.13)	—	170 (6.69)	—
141A-SM63S	260 (10.24)	63 (2.48)	—	170 (6.69)	—

Figure 2 - Standard Busbar Adapters



Cat. No.	A	B	C	D	E
141A-CC45R32	160 (6.3)	45 (1.77)	62 (2.44)	—	90 (3.54)
141A-CC54R63	160 (6.3)	54 (2.13)	62 (2.44)	—	90 (3.54)
141A-GM45RS25	260 (10.24)	45 (1.77)	65 (2.56)	170 (6.69)	73 (2.87)
141A-GM54RS25	260 (10.24)	54 (2.13)	65 (2.56)	170 (6.69)	73 (2.87)
141A-GM54RS45	260 (10.24)	54 (2.13)	65 (2.56)	170 (6.69)	95 (3.74)
141A-GM63RS45	260 (10.24)	63 (2.48)	65 (2.56)	170 (6.69)	95 (3.74)
141A-GM45S	260 (10.24)	45 (1.77)	—	170 (6.69)	—
141A-GM54S	260 (10.24)	54 (2.13)	—	170 (6.69)	—
141A-GM63S	260 (10.24)	63 (2.48)	—	170 (6.69)	—
141A-GS45RR16	200 (7.87)	45 (1.77)	65 (2.56)	162.5 (6.4)	73 (2.87)
141A-GS54RR16	200 (7.87)	54 (2.13)	65 (2.56)	162.5 (6.4)	73 (2.87)
141A-GS45RR25	200 (7.87)	45 (1.77)	65 (2.56)	162.5 (6.4)	73 (2.87)
141A-GS54RR25	200 (7.87)	54 (2.13)	65 (2.56)	162.5 (6.4)	73 (2.87)
141A-GS45RR45	200 (7.87)	54 (2.13)	65 (2.56)	170 (6.69)	95 (3.74)
141A-GS63RR45	200 (7.87)	63 (2.48)	65 (2.56)	170 (6.69)	95 (3.74)
141A-GS45R	200 (7.87)	45 (1.77)	—	162.5 (6.4)	—
141A-GS54R	200 (7.87)	54 (2.13)	—	170 (6.69)	—
141A-GS72S	200 (7.87)	72 (2.83)	105 (4.13)	—	—
141A-GS81S	200 (7.87)	81 (3.19)	105 (4.13)	—	—

Note: Free space is required to plug/unplug the adapter into the busbars

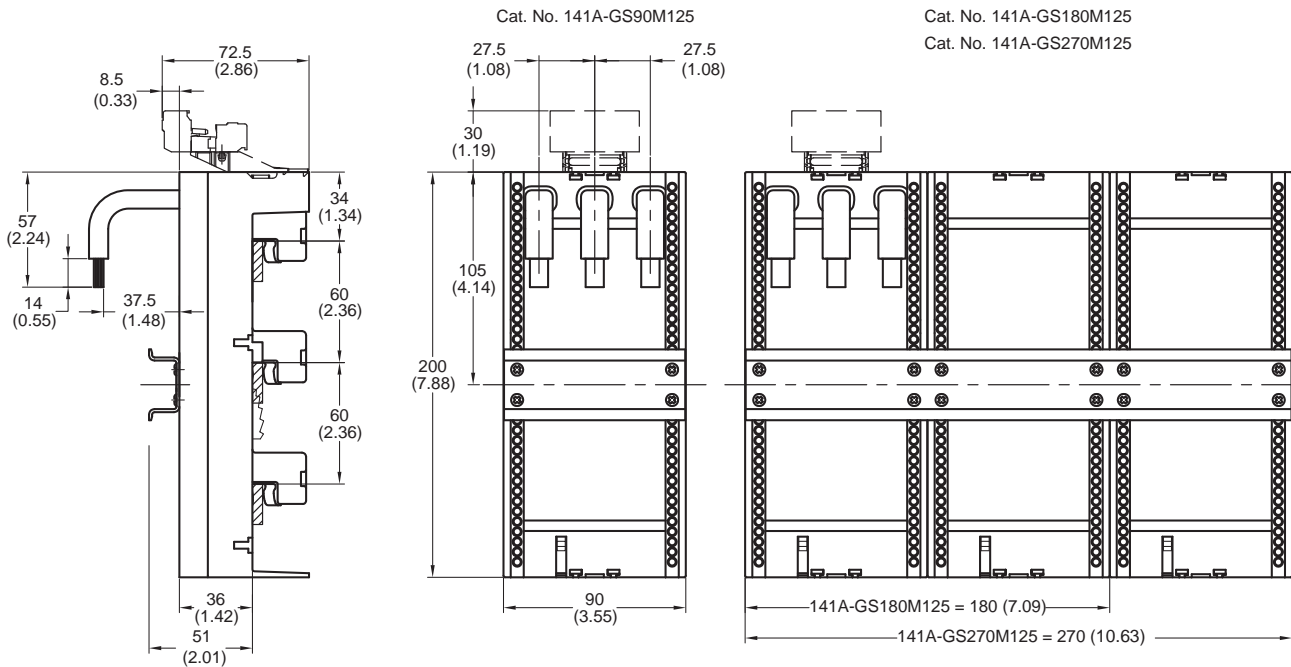
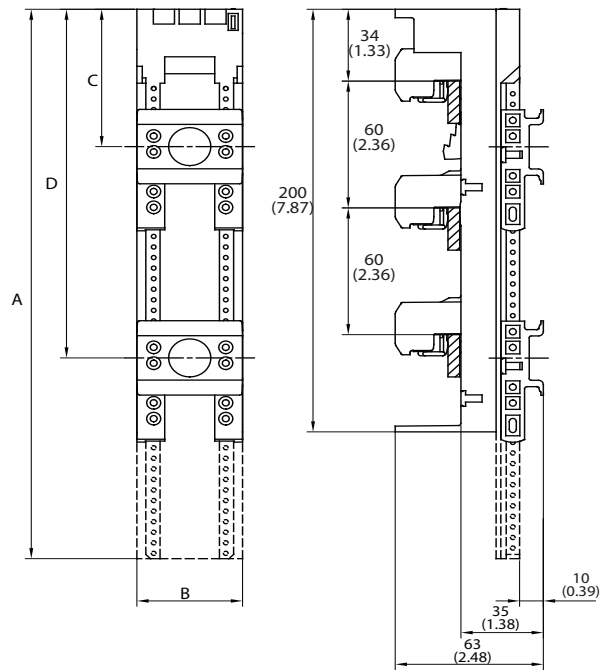


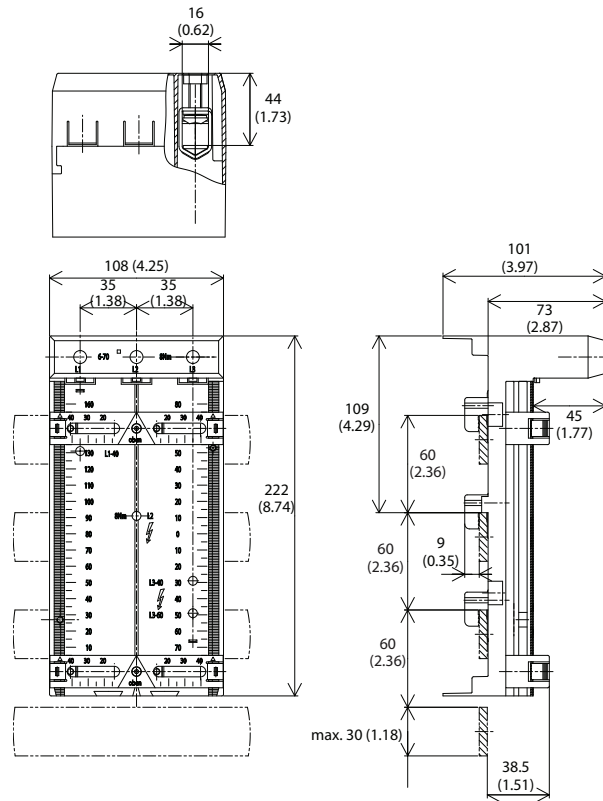
Figure 3 - Standard Busbar Adapters with Terminals



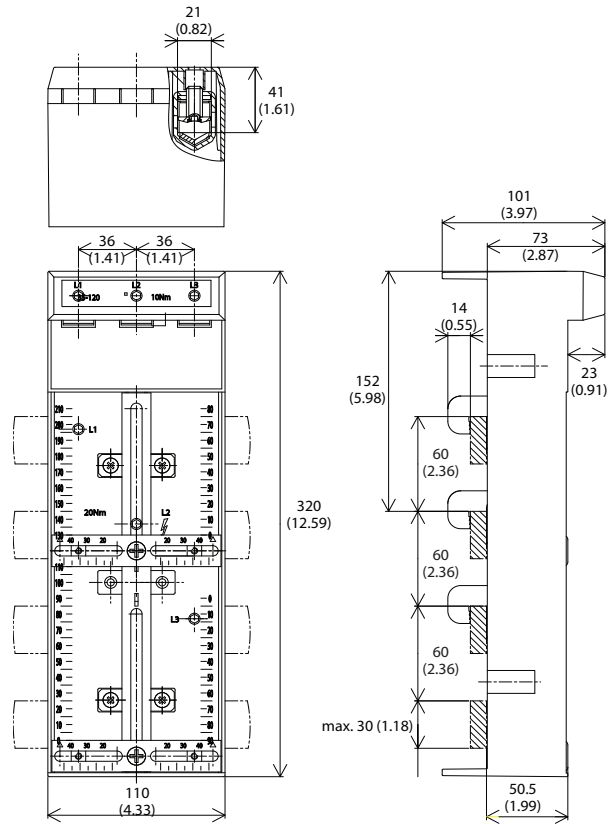
Note: Free space is required to plug/unplug the adapter into the busbars

Cat. No.	A	B	C	D	Wire Size	
					mm <sup>2</sup>	AWG
141A-FS45S25	200 (7.87)	45 (1.77)	65 (2.56)	—	6	#10
141A-FS54S63	200 (7.87)	54 (2.13)	65 (2.56)	—	16	#6
141A-FS63S63	200 (7.87)	63 (2.48)	65 (2.56)	—	16	#6
141A-FS72S63	200 (7.87)	72 (2.83)	65 (2.56)	—	16	#6
141A-FS81S63	200 (7.87)	81 (3.19)	65 (2.56)	—	16	#6
141A-FM45SS25	260 (10.24)	45 (1.77)	65 (2.56)	170 (6.69)	6	#10
141A-FM54SS63	260 (10.24)	54 (2.13)	65 (2.56)	170 (6.69)	16	#6
141A-FM63SS63	260 (10.24)	63 (2.48)	65 (2.56)	170 (6.69)	16	#6
141A-FM72SS63	260 (10.24)	72 (2.83)	65 (2.56)	170 (6.69)	16	#6
141A-FM81SS63	260 (10.24)	81 (3.19)	65 (2.56)	170 (6.69)	16	#6

Figure 4 - Standard Busbar Adapters — Universal Adapters



Cat. No. 141A-FS108V200T



Cat. No. 141A-FL110V250T

Figure 5 - Cat. No. 141A-GHT, -GHB, and -GJU

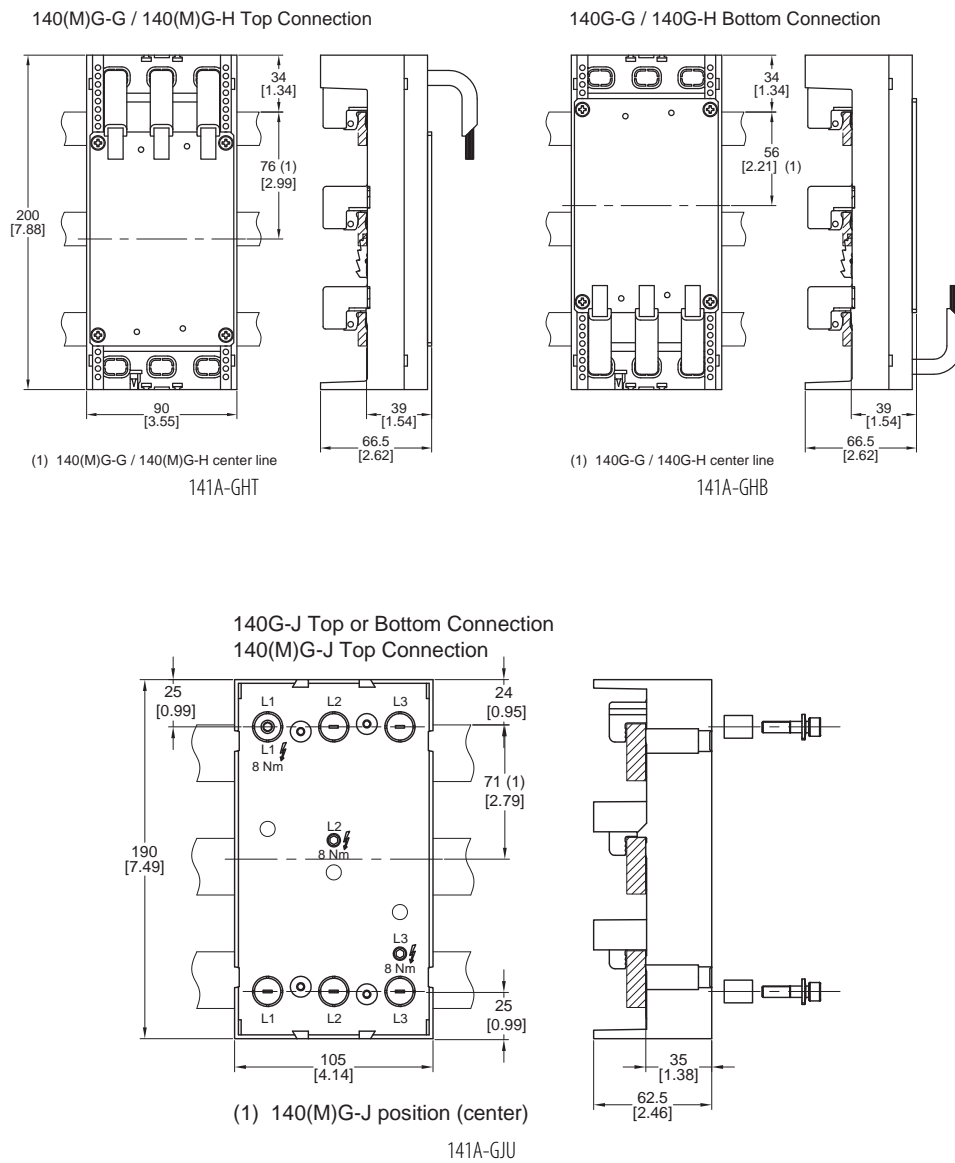


Figure 6 - Cat. No. 141A-GKU

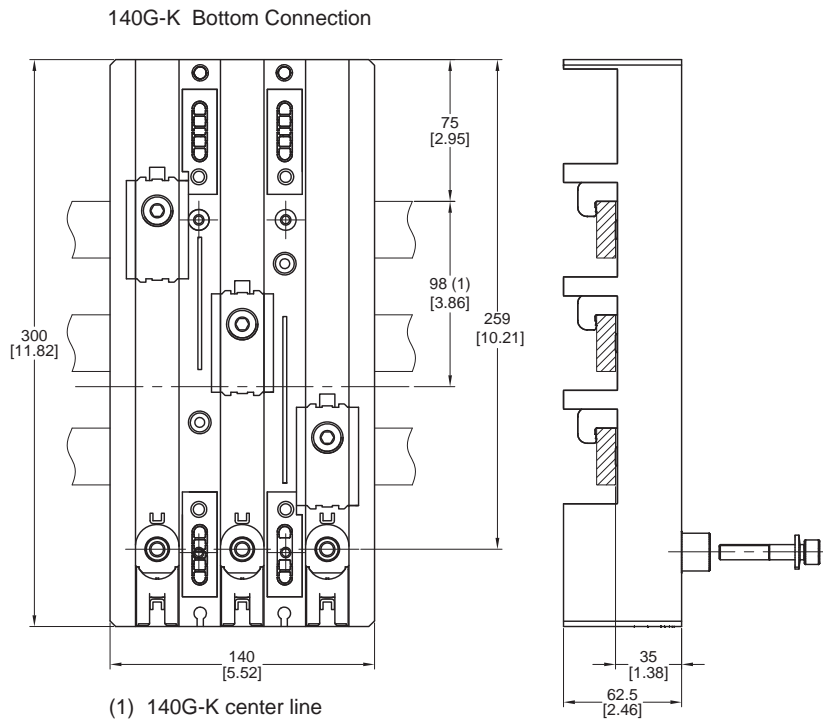
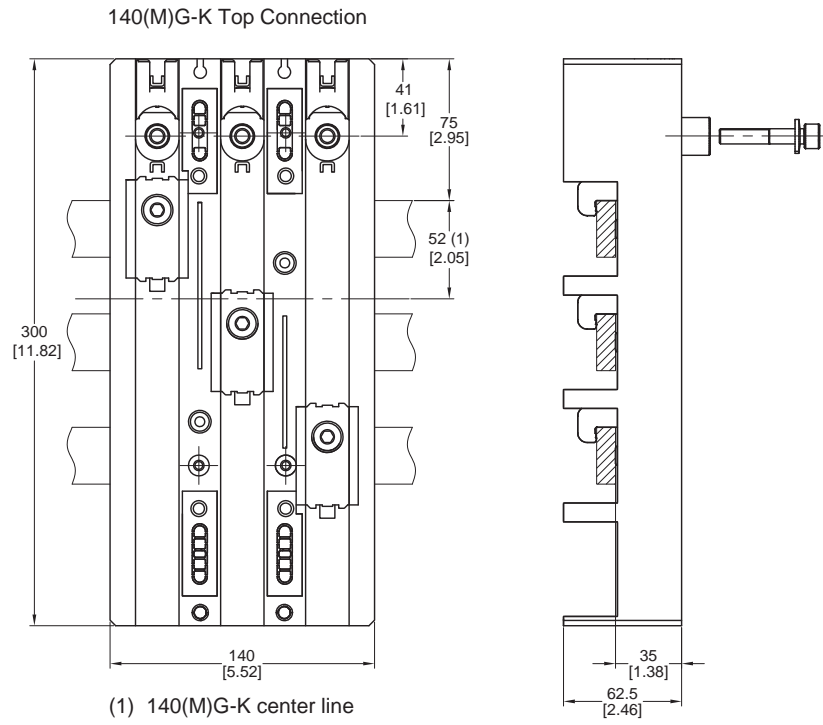
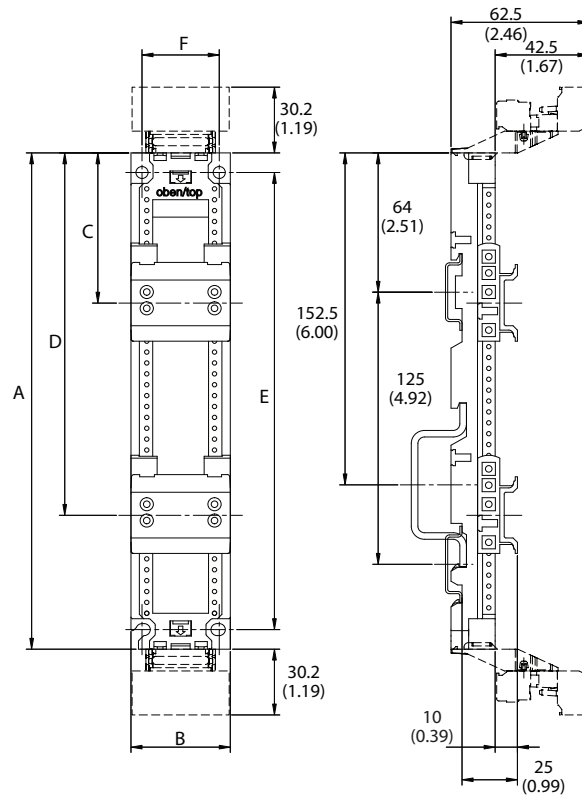


Figure 7 - Cat. No. 141A-W... Panel Mount Adapters



Cat. No.	A	B	C	D	E	F
141A-WS45RR	228 (8.97)	45 (1.77)	69 (2.71)	166.5 (6.56)	210 (8.27)	35 (1.38)
141A-WS44RR	228 (8.97)	54 (2.13)	69 (2.71)	174 (6.85)	210 (8.27)	40 (1.57)
141A-WM45RR	228 (8.97)	45 (1.77)	69 (2.71)	166.5 (6.56)	265 (10.43)	35 (1.38)
141A-WM44RR	228 (8.97)	54 (2.13)	69 (2.71)	174 (6.85)	265 (10.43)	40 (1.57)
141A-WL44RR	333 (13.11)	54 (2.13)	69 (2.71)	174 (6.85)	315 (12.40)	40 (1.57)

# UL Fuse Bases and Fuse Holders

Figure 8 - Cat. No. 141A-NFHCC30

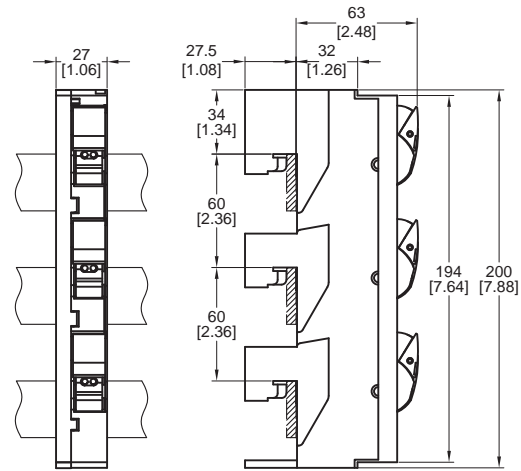


Figure 9 - Cat. Nos. 141A-NFJ30C, -60C, and -100C100C

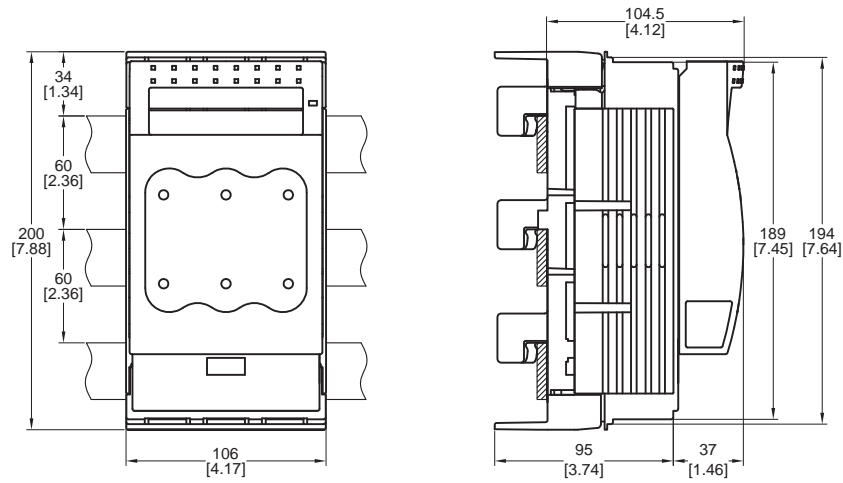




Figure 10 - Cat. No. 141A-NFJ200C

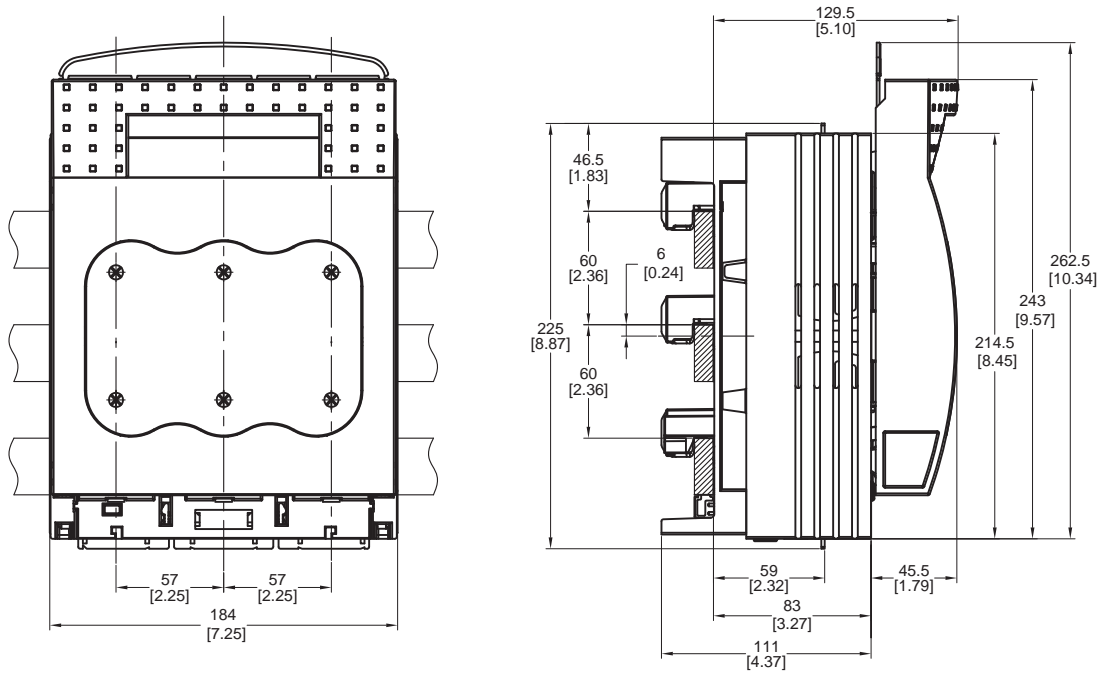
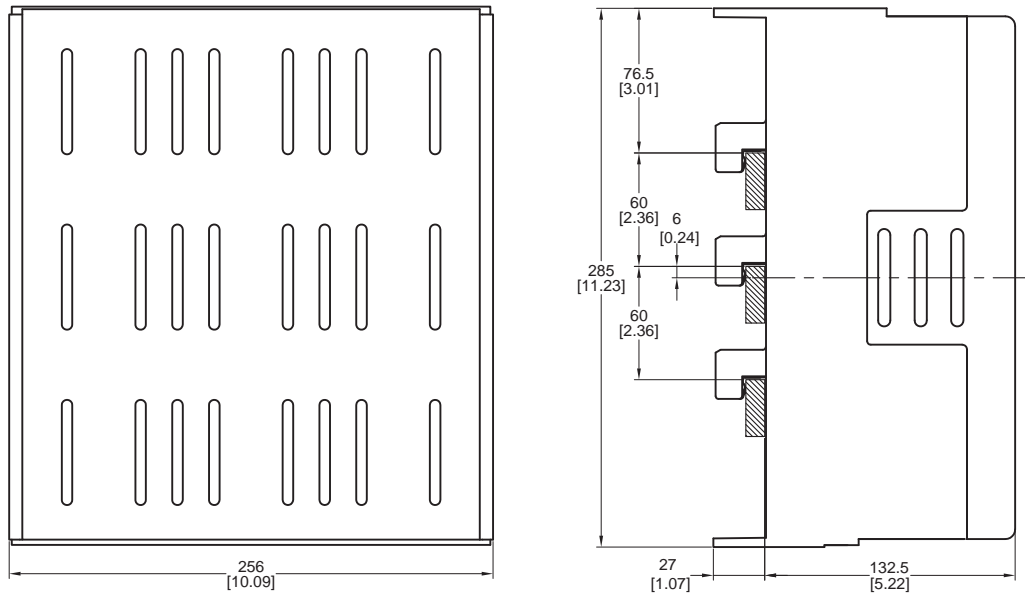


Figure 11 - Cat. No. 141A-NFJ400



# Fused and Non-fused IEC Switch Disconnectors

Figure 12 - 141A-NF0102 and 141A-NF1038 Busbar Fuse Switches

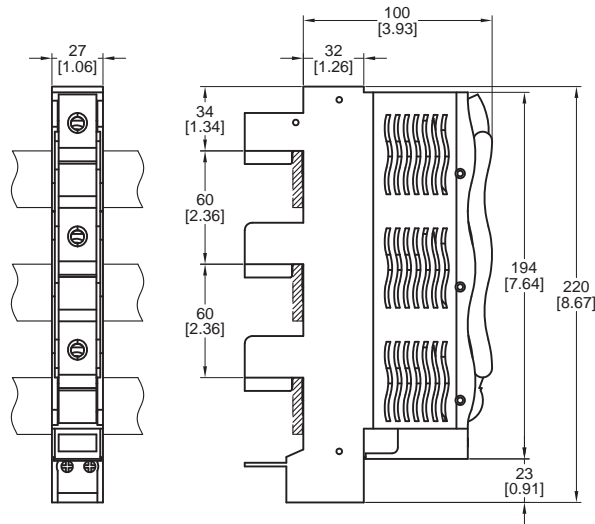


Figure 13 - 141A-NFD160 NH Fuse Switch Disconnecter

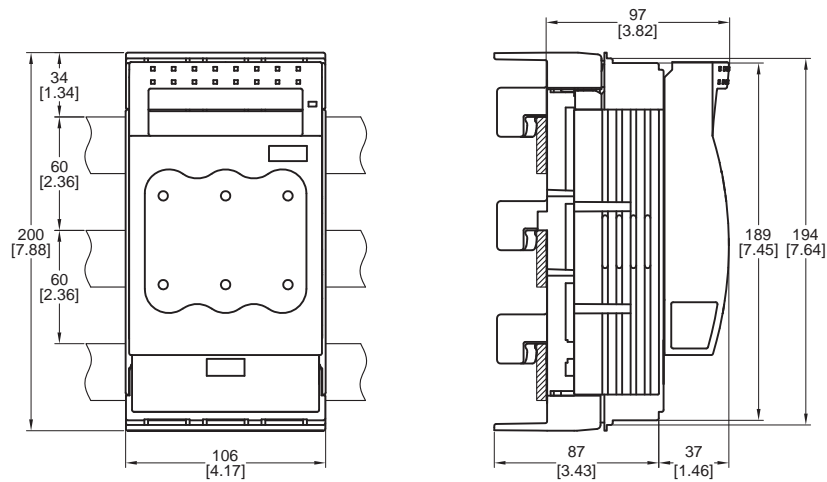
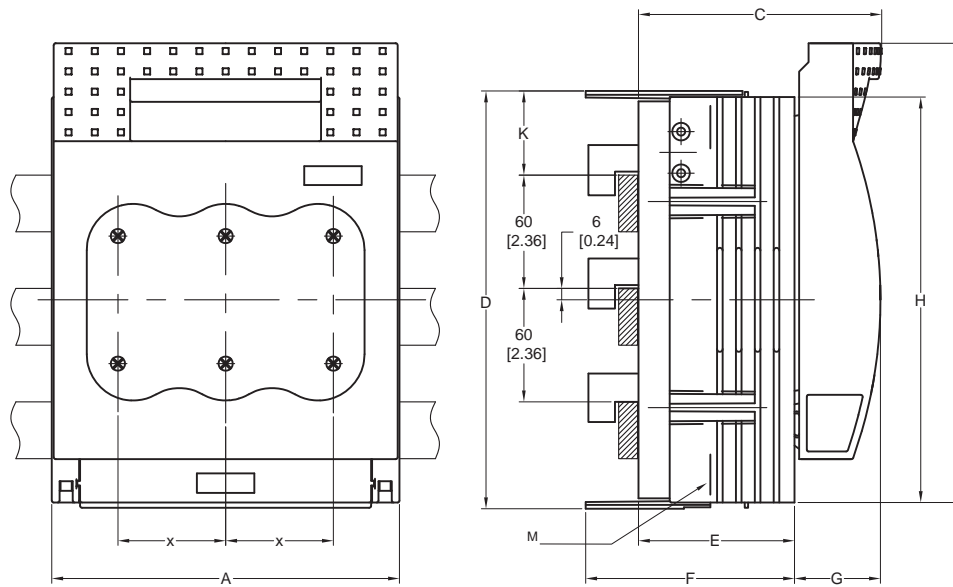


Figure 14 - 141A-NFD... NH Fuse Switch Disconnecter



Cat. No.	A	B	C	D	E	F	G	H	K	M	X
141A-NFD250	184 (7.24)	243 (9.57)	128.5 (5.06)	221 (8.7)	83 (3.27)	110.5 (4.35)	45.5 (1.79)	214.5 (8.44)	44.5 (1.75)	M10	57 (2.24)
141A-NFD400	210 (8.27)	288 (11.34)	145 (5.71)	268 (10.55)	97 (3.82)	124.5 (4.9)	48 (1.89)	255 (10.04)	68 (2.68)	M10	65 (2.56)
141A-NFD630	256 (10.08)	300 (11.81)	159.5 (6.28)	285 (11.22)	111.5 (4.39)	139 (5.47)	48 (1.89)	267 (10.51)	76.5 (3.01)	M12	81 (3.19)

Figure 15 - Cat. No.141A-NFD125SB Fuse Switch Disconnecter for NH Fuses

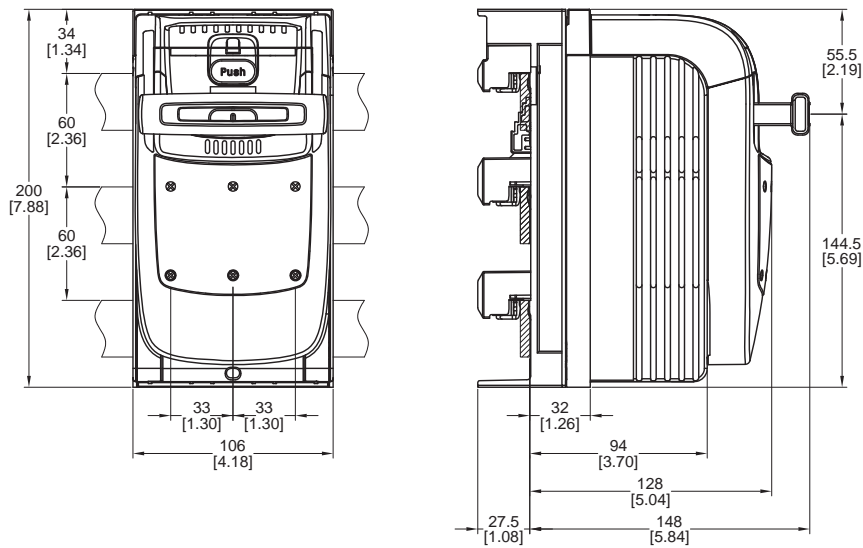


Figure 16 - Cat. No.141A-NFD250SB Fuse Switch Disconnecter for NH Fuses

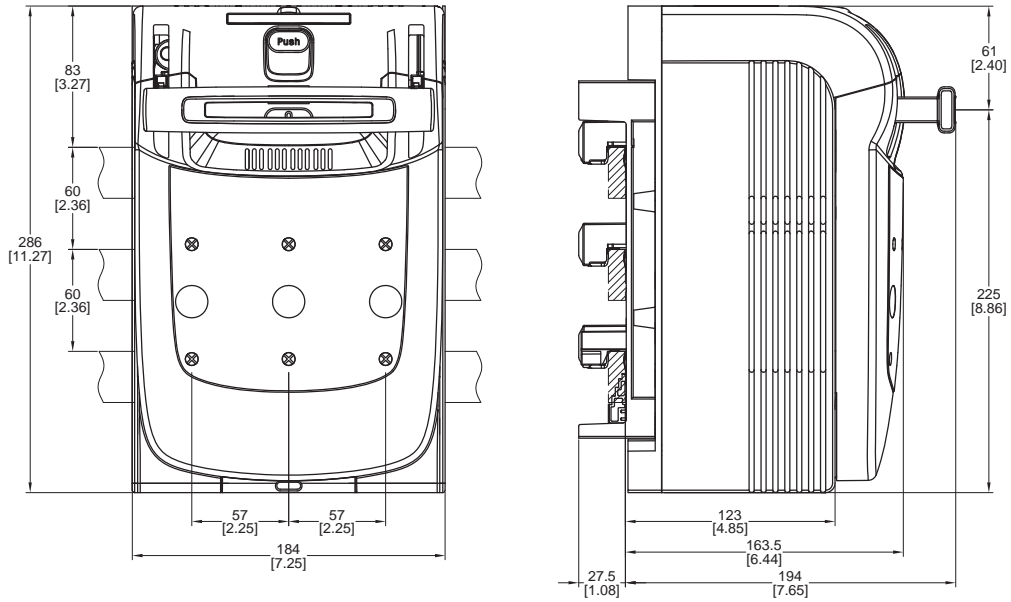


Figure 17 - 141A-N160SB Non-Fused Switch Disconnecter for External Rotary Operating Handle

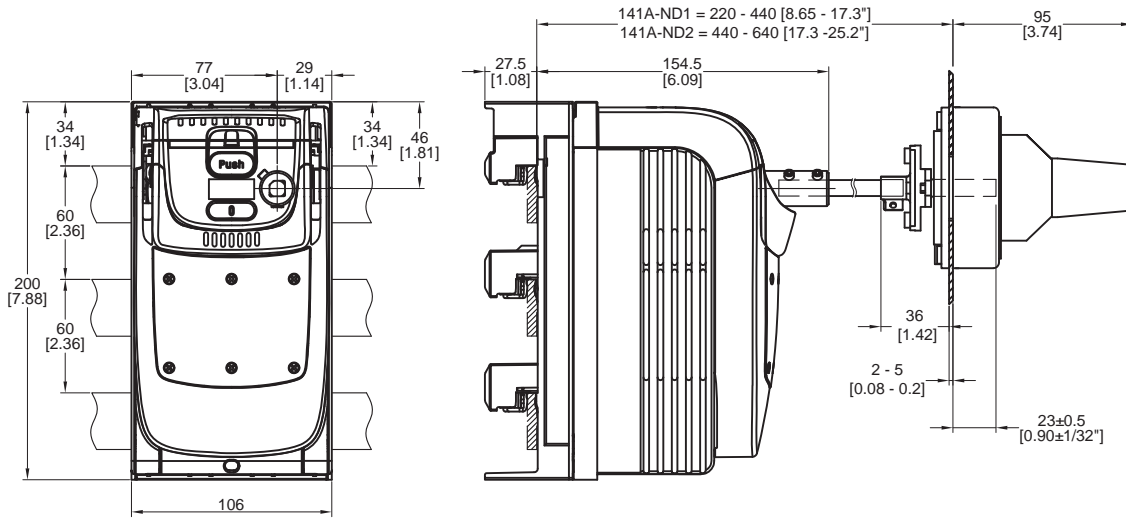


Figure 18 - 141A-N320SB Non-Fused Switch Disconnect for External Rotary Operating Handle

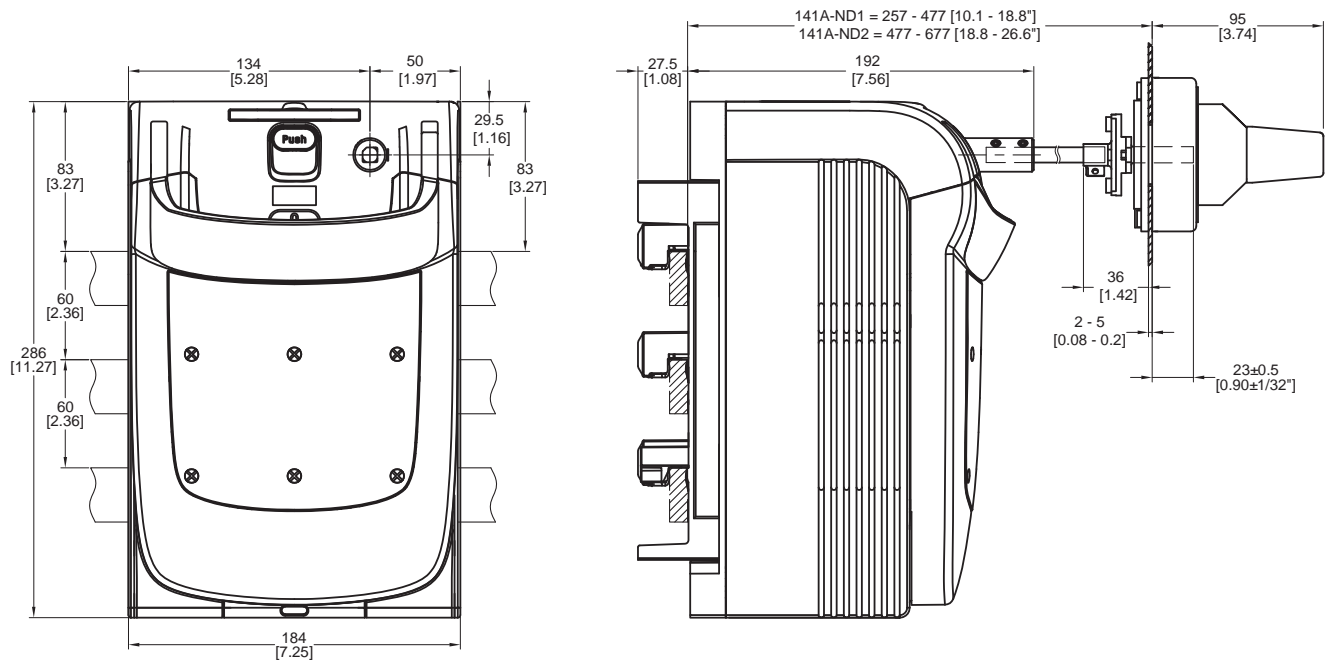
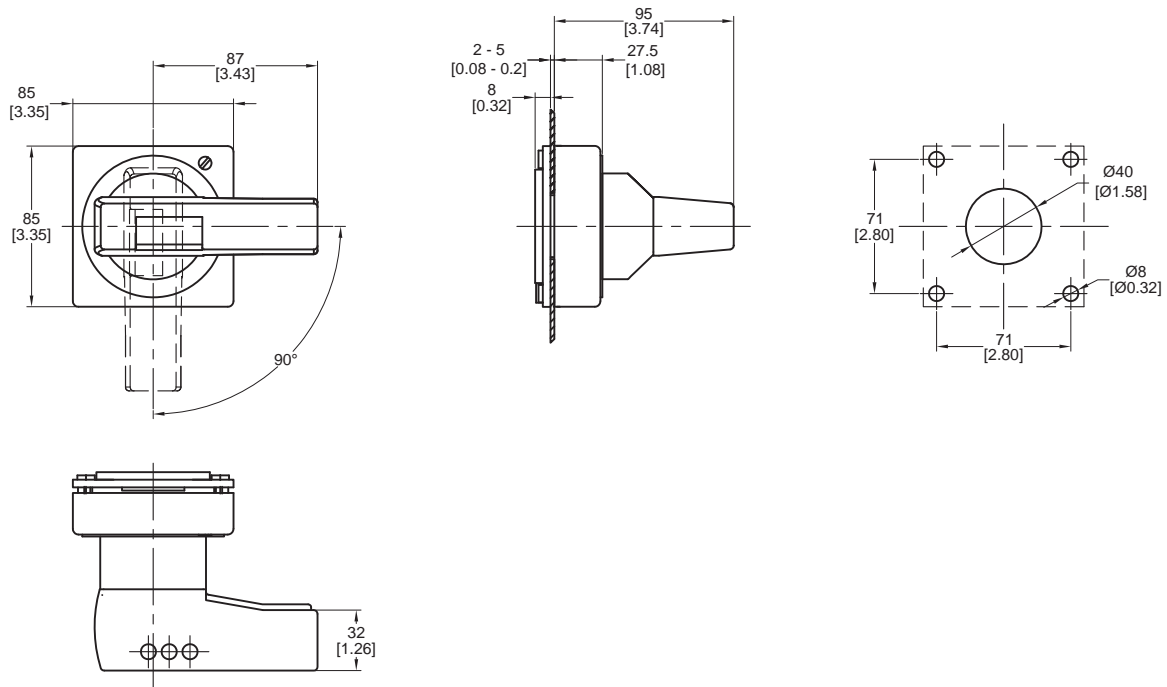


Figure 19 - 141A-NDN66 and 141A-NDRY66 Operating Handles



# Busbar Rack Components

## Busbar Supports and End Covers

Figure 20 - Cat. Nos. 141A-TU3, -TR1, -TR3, and -TR4 Busbar Supports and End Covers

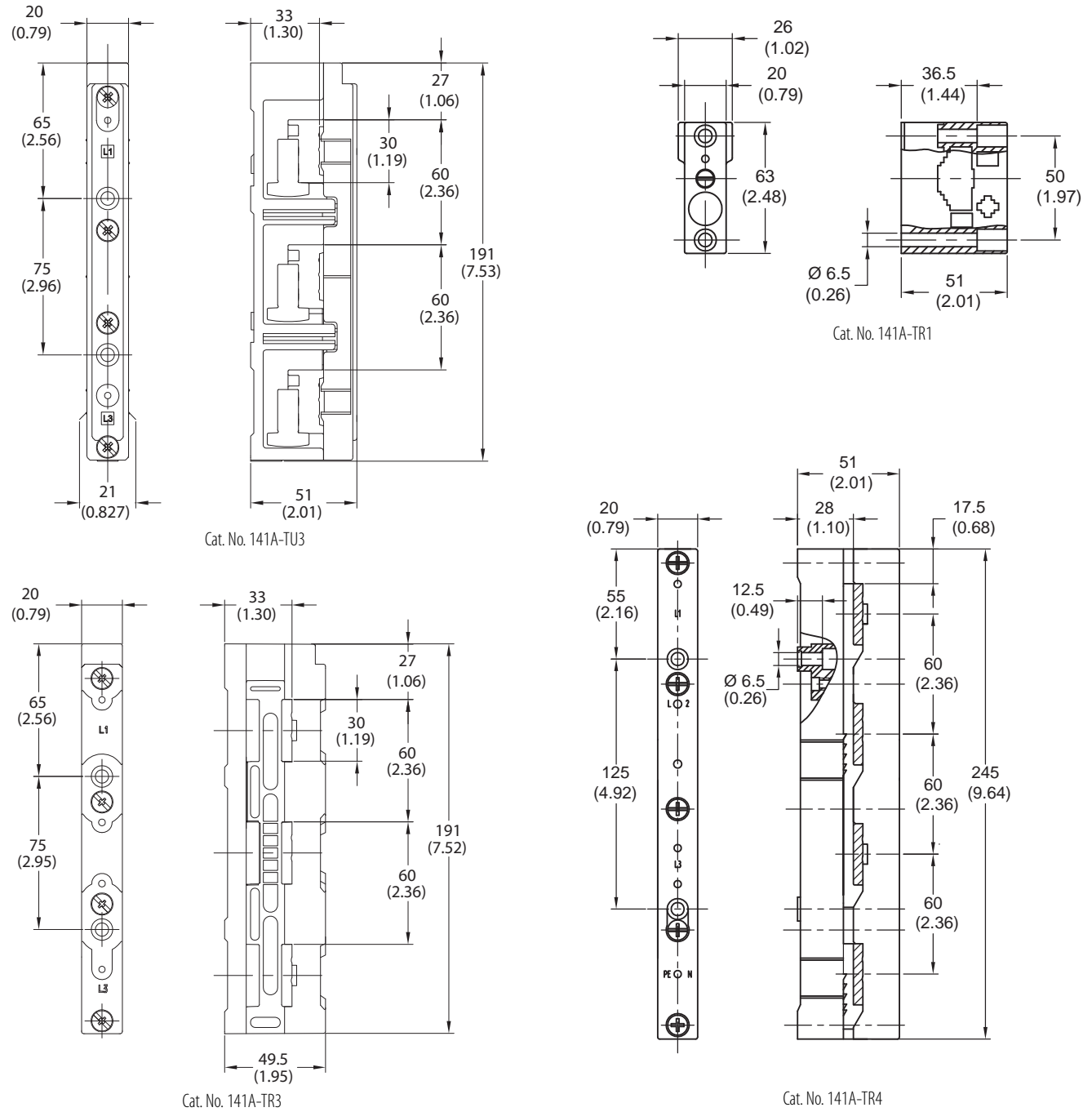
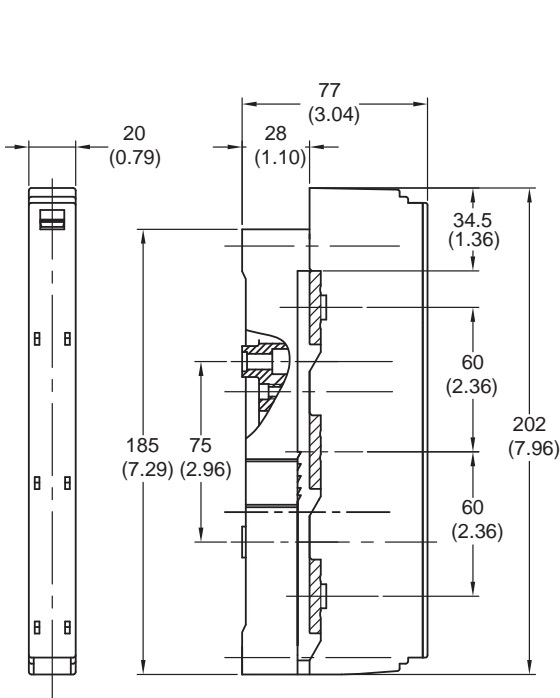
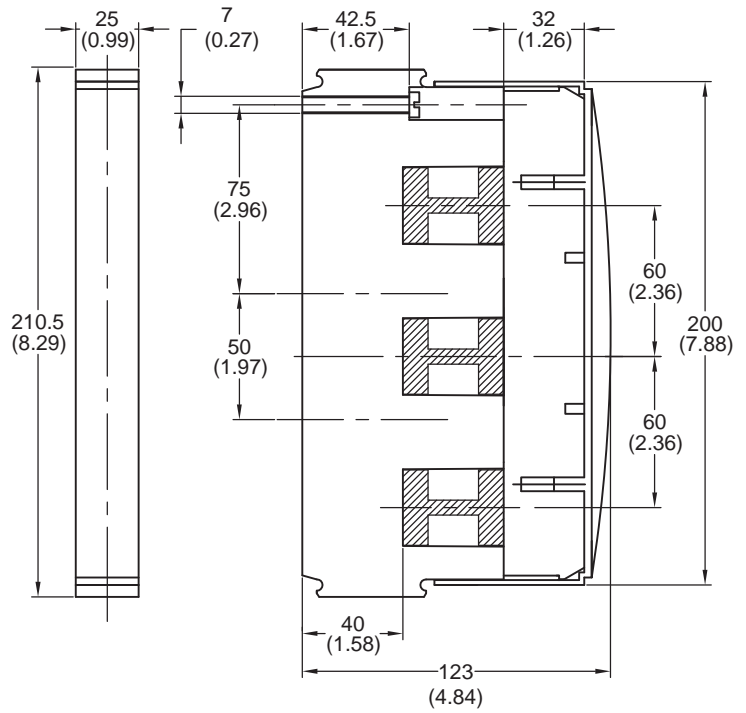


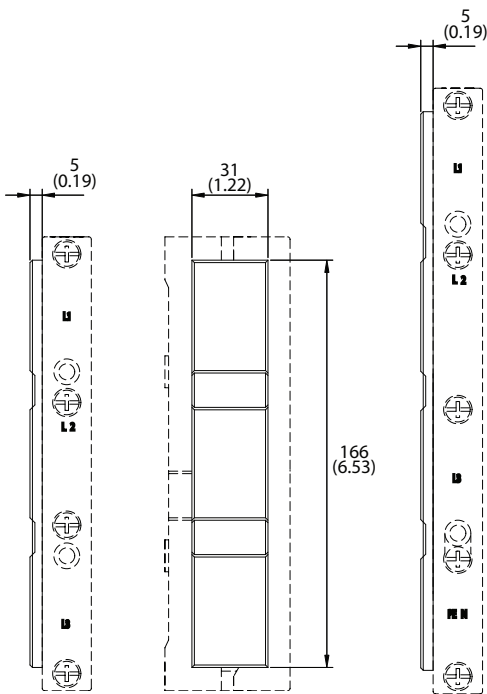
Figure 21 - Cat. Nos. 141A-TR3F16, -T13, -TR3E, -TR4E, and T13E Busbar Supports and End Covers



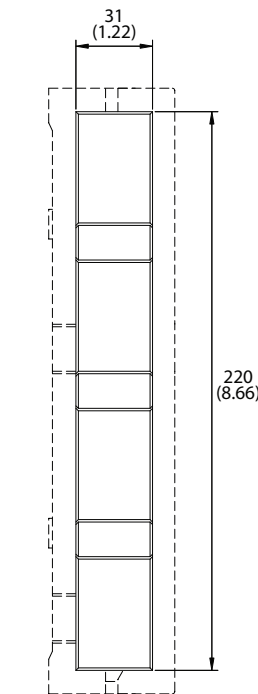
Cat. No. 141A-TR3F16



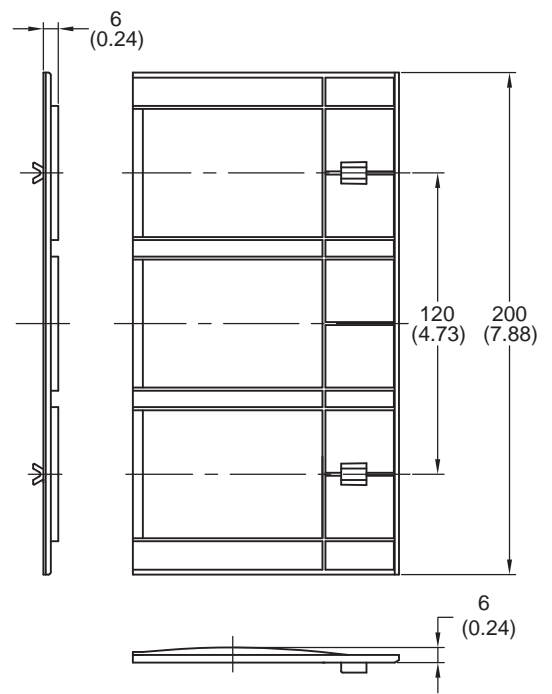
Cat. No. 141A-TR4E



Cat. No. 141A-TR3E



Cat. No. 141A-TR4E

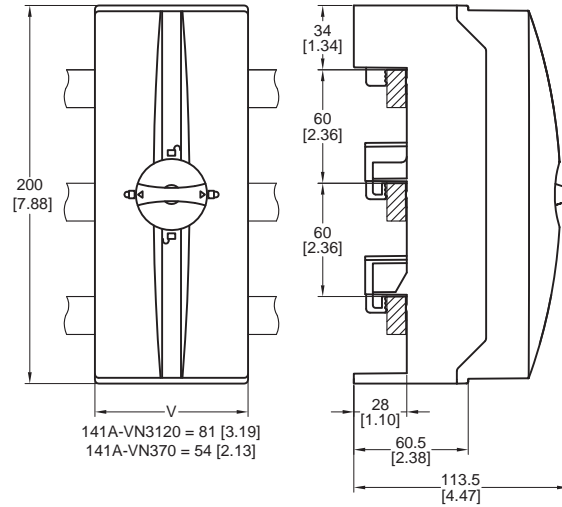


Cat. No. 141A-TR13E

## Supply Modules

Dimensions are in millimeters (inches). Dimensions are not intended for manufacturing purposes.

**Figure 22 - Cat. Nos. 141A-VN370 and 141A-VN3120**



**Figure 23 - Cat. Nos. 141A-VN3185, -VN3300R, and -VN3300F**

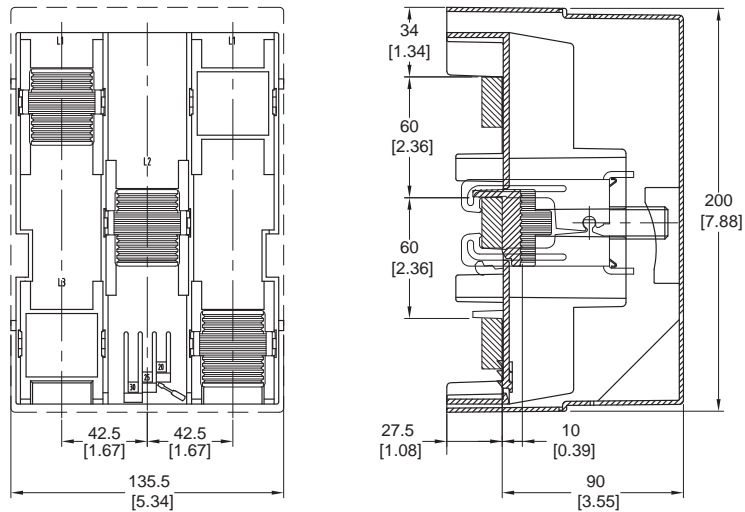
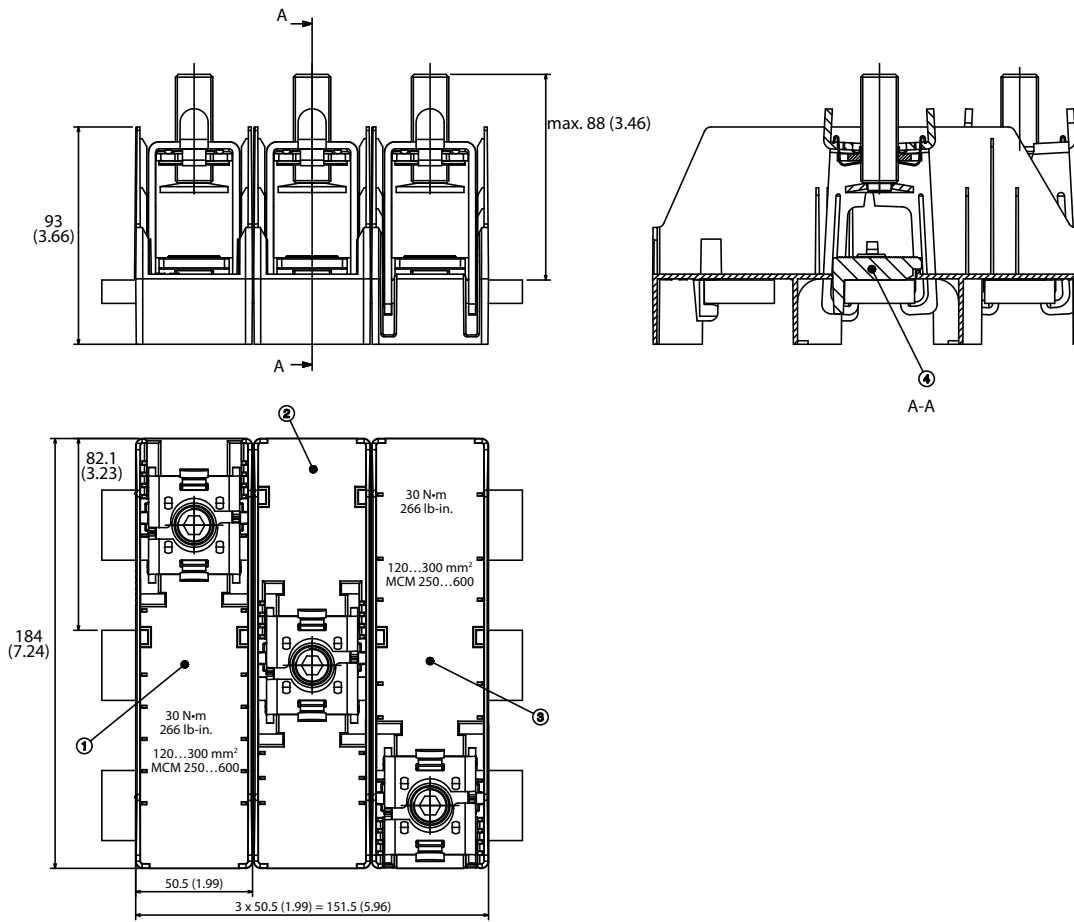




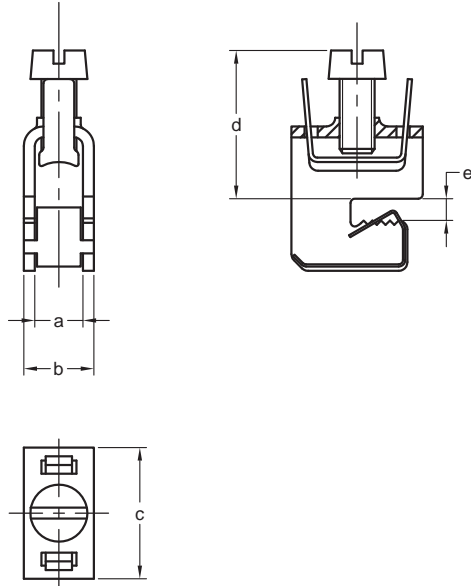
Figure 24 - Cat. Nos. 141A-VU3300R and -VU3300F



## Terminals and Terminal Covers

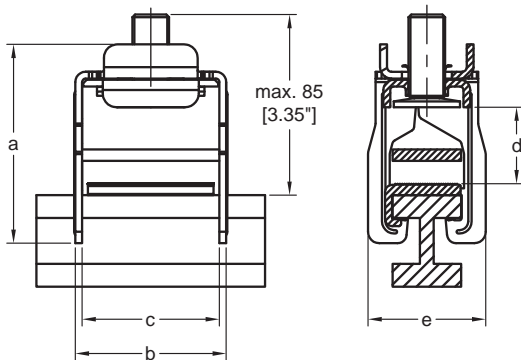
### Single Terminals for Connecting to Busbars

Figure 25 - 141A-VS... Terminals for Connecting to Busbars



Cat. No.	A	B	C	D	E
141A-VS2120	17 (0.67)	23.5 (0.93)	36 (1.42)	55 (2.17)	10 (0.39)
141A-VS116	7.5 (0.3)	11.5 (0.45)	22.5 (0.89)	25 (0.98)	5 (0.2)
141A-VS135	10.5 (0.41)	15.5 (0.61)	29 (1.14)	36 (1.42)	5 (0.2)
141A-VS170	14.5 (0.57)	20.5 (0.81)	32 (1.26)	42 (1.65)	5 (0.2)
141A-VS216	7.5 (0.3)	11.5 (0.45)	22.5 (0.89)	25 (0.98)	10 (0.39)
141A-VS235	10.5 (0.41)	15.5 (0.61)	29 (1.14)	35 (1.38)	10 (0.39)
141A-VS270	14.5 (0.57)	20.5 (0.81)	32 (1.26)	42 (1.65)	10 (0.39)

Figure 26 - 141A-VB... Terminals for Connecting to Busbars



Cat. No.	A	B	C	D min.	D max.	E
141A-VB75528F	90 (3.54)	72 (2.83)	55 (2.17)	10 (0.39)	28 (1.1)	56 (2.2)
141A-VB76828F	90 (3.54)	85 (3.35)	68 (2.68)	10 (0.39)	28 (1.1)	56 (2.2)
141A-VB710528F	90 (3.54)	122 (4.8)	105 (4.13)	10 (0.39)	28 (1.1)	56 (2.2)

## Terminal Covers

Figure 27 - 141A-BK1 Terminal Cover

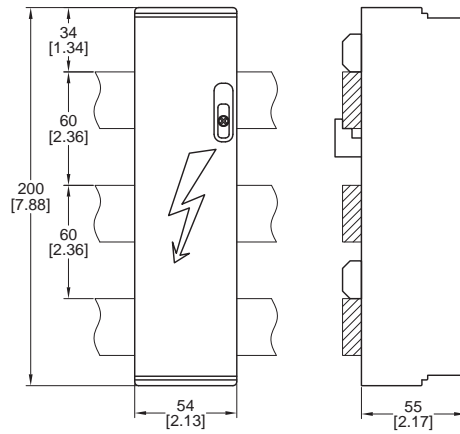
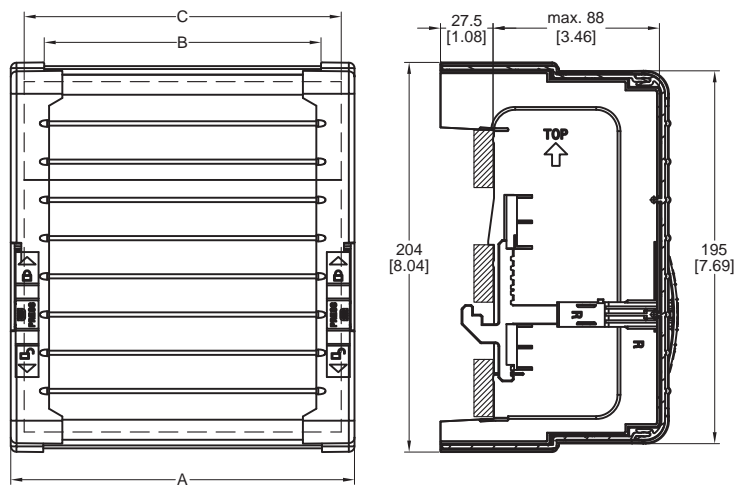


Figure 28 - 141A-BK180, -BK228 Terminal Covers

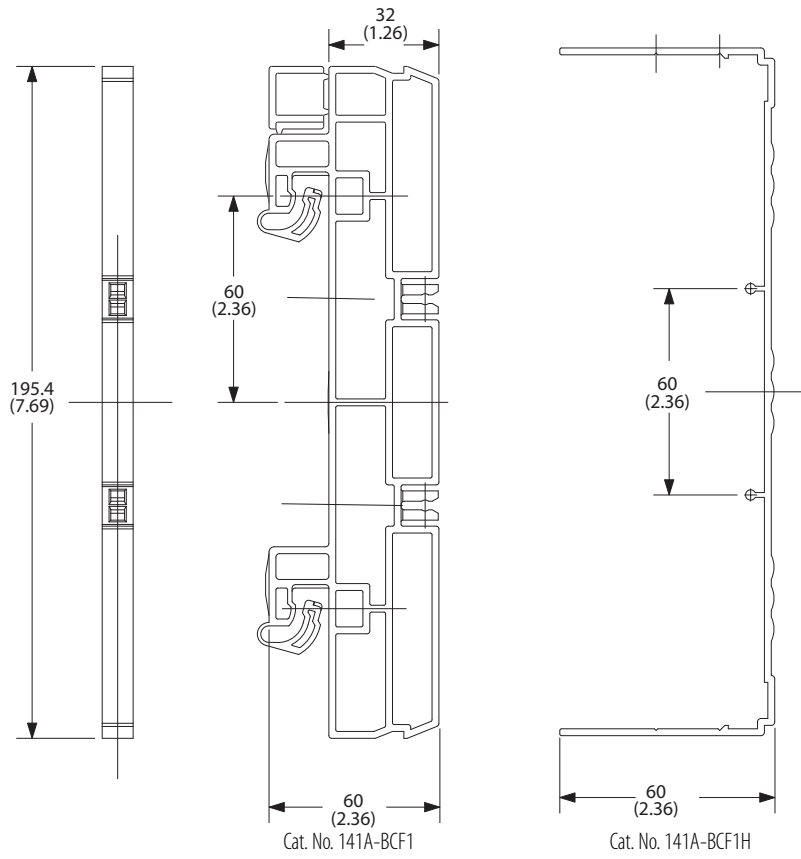


Cat. No.	A <sup>(1)</sup>	B	C
141A-BK180	180 (7.09)	146 (5.75)	166 (6.54)
141A-BK228	228 (8.98)	194 (7.64)	214 (8.43)

(1) You can build terminal covers of individual lengths by using components 141A-BKH, 141A-BKC and 141A-BKS.

# Busbar Covers and Shrouds

Figure 29 - Cat. Nos. 141A-BCF1, 141A-BCF1H Busbar Cover and Cover Holder



Notes:

# 141A-C Compact System

Figure 30 - 141A-CC45R32, 141A-CC45R Standard Busbar Adapters

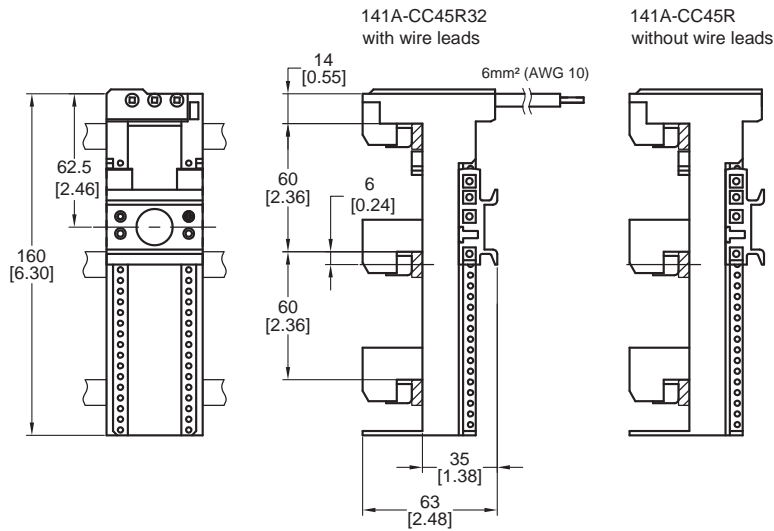


Figure 31 - 141A-CC45R63 Standard Busbar Adapters

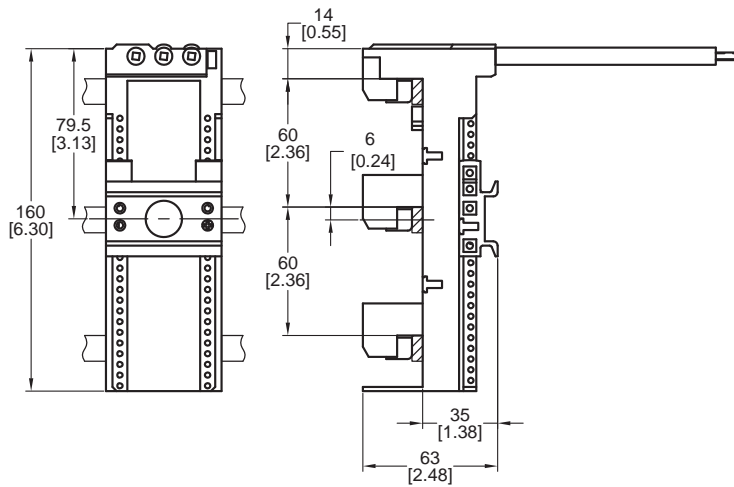


Figure 32 - 141A-CTU3 Busbar Support

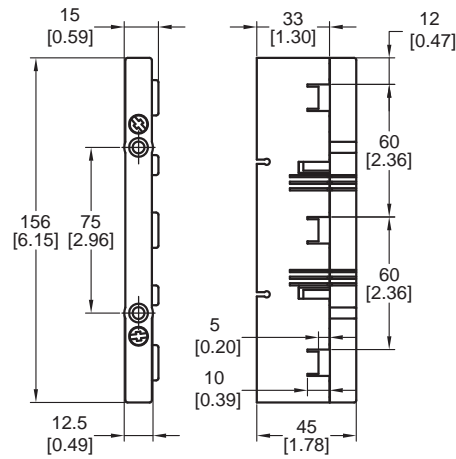


Figure 33 - 141A-CVN350 Supply Module

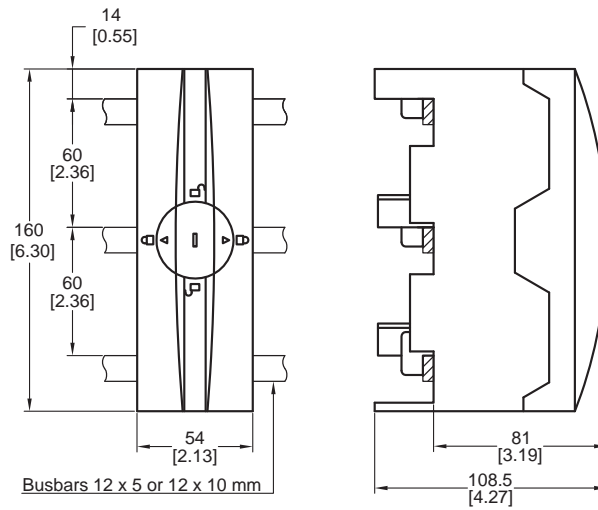
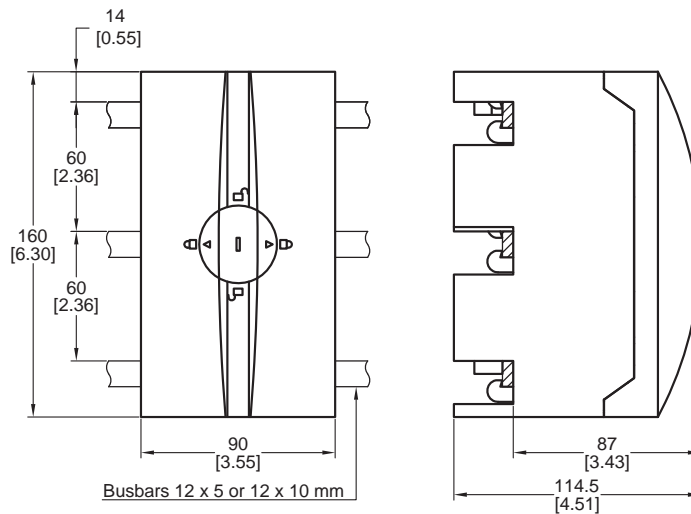


Figure 34 - 141A-CVN3150 Supply Module



# Rockwell Automation Support

Use the following resources to access support information.

<b>Technical Support Center</b>	Knowledgebase Articles, How-to Videos, FAQs, Chat, User Forums, and Product Notification Updates.	<a href="http://www.rockwellautomation.com/knowledgebase">www.rockwellautomation.com/knowledgebase</a>
<b>Local Technical Support Phone Numbers</b>	Locate the phone number for your country.	<a href="http://www.rockwellautomation.com/global/support/get-support-now.page">www.rockwellautomation.com/global/support/get-support-now.page</a>
<b>Direct Dial Codes</b>	Find the Direct Dial Code for your product. Use the code to route your call directly to a technical support engineer.	<a href="http://www.rockwellautomation.com/global/support/direct-dial.page">www.rockwellautomation.com/global/support/direct-dial.page</a>
<b>Literature Library</b>	Installation Instructions, Manuals, Brochures, and Technical Data.	<a href="http://www.rockwellautomation.com/literature">www.rockwellautomation.com/literature</a>
<b>Product Compatibility and Download Center (PCDC)</b>	Get help determining how products interact, check features and capabilities, and find associated firmware.	<a href="http://www.rockwellautomation.com/global/support/pcdc.page">www.rockwellautomation.com/global/support/pcdc.page</a>

## Documentation Feedback

Your comments will help us serve your documentation needs better. If you have any suggestions on how to improve this document, complete the How Are We Doing? form at [http://literature.rockwellautomation.com/idc/groups/literature/documents/du/ra-du002\\_-en-e.pdf](http://literature.rockwellautomation.com/idc/groups/literature/documents/du/ra-du002_-en-e.pdf).

Rockwell Automation maintains current product environmental information on its website at <http://www.rockwellautomation.com/rockwellautomation/about-us/sustainability-ethics/product-environmental-compliance.page>.

Allen-Bradley, LISTEN. THINK. SOLVE, PowerFlex, Rockwell Automation, and Rockwell Software are trademarks of Rockwell Automation, Inc. Trademarks not belonging to Rockwell Automation are property of their respective companies.

**[www.rockwellautomation.com](http://www.rockwellautomation.com)**

---

### Power, Control and Information Solutions Headquarters

Americas: Rockwell Automation, 1201 South Second Street, Milwaukee, WI 53204-2496 USA, Tel: (1) 414.382.2000, Fax: (1) 414.382.4444

Europe/Middle East/Africa: Rockwell Automation NV, Pegasus Park, De Kleetlaan 12a, 1831 Diegem, Belgium, Tel: (32) 2 663 0600, Fax: (32) 2 663 0640

Asia Pacific: Rockwell Automation, Level 14, Core F, Cyberport 3, 100 Cyberport Road, Hong Kong, Tel: (852) 2887 4788, Fax: (852) 2508 1846